



EN - English  
SV - Svenska  
DA - Danske  
NO - Norsk  
FI - Suomi

## PRECAUTIONS TO AVOID POSSIBLE EXPOSURE TO EXCESSIVE MICROWAVE ENERGY

- Do not attempt to operate this oven with the door open, this can result in harmful exposure to microwave energy. It is important not to break or tamper with the safety interlocks.
- Do not place any object between the oven front face and the door or allow soil or cleaner residue to accumulate on sealing surfaces.

**WARNING:** If the door or door seals are damaged, the oven must not be operated until it has been repaired by a competent service agent.

### ADDENDUM

If the apparatus is not maintained in a good state of cleanliness, its surface could be degraded and affect the lifespan of the apparatus and lead to a dangerous situation.

## SAVE THESE INSTRUCTIONS FOR FUTURE USE

### IMPORTANT SAFEGUARDS

To reduce the risk of fire, electric shock, injury to persons or exposure to excessive microwave oven energy when using this appliance, follow basic precautions, including the following:

**Warning:** Liquids and other foods must not be heated in sealed containers since they are liable to explode.

**Warning:** It is hazardous for anyone other than a competent person to carry out any service or repair operation that involves the removal of a cover which gives protection against exposure to microwave energy.

1. This appliance can be used by children aged from 8 years and above and persons with reduced physical, sensory or mental capabilities or lack of experience and knowledge if they have been given supervision or instruction concerning use of the appliance in a safe way and understand the hazards involved. Children shall not play with the appliance. Cleaning and user maintenance shall not be made by children unless they are older than 8 and supervised.
2. Keep the appliance and its cord out of reach of children less than 8 years.
3. Only use utensils that are suitable for use in microwave.
4. The oven should be cleaned regularly and any food deposits should be removed.
5. When heating food in plastic or paper containers, keep an eye on the oven due to the possibility of ignition.
6. If smoke is emitted, switch off or unplug the appliance and keep the door closed in order to stifle any flames.
7. Do not overcook food.
8. Do not use the oven cavity for storage purposes.
9. Do not store items, such as bread, cookies, etc. inside the oven.
10. Remove wire twist-ties and metal handles from paper or plastic containers/bags before placing them in the oven.
11. Install or locate this oven only in accordance with the installation instructions provided.
12. Eggs in the shell and whole hard-boiled eggs should not be heated in microwave ovens since they may explode, even after microwave heating has ended.
13. This appliance is intended to be used in household and similar applications such as:
  - staff kitchen areas in shops, offices and other working environments;
  - by clients in hotels, motels and other residential type environments;
  - bed and breakfast type environments.
14. If the supply cord is damaged, it must be replaced by the manufacturer, its service agent or similarly qualified persons in order to avoid a hazard.
15. Do not store or use this appliance outdoors.

16. Do not use this oven near water, in a wet basement or near a swimming pool.
17. The temperature of accessible surfaces may be high when the appliance is operating. The surfaces are liable to get hot during use. Keep cord away from heated surface, and do not cover any vents on the oven.
18. Do not let cord hang over edge of table or counter.
19. Failure to maintain the oven in a clean condition could lead to deterioration of the surface that could adversely affect the life of the appliance and possibly result in a hazardous situation.
20. The contents of feeding bottles and baby food jars shall be stirred or shaken and the temperature checked before consumption, in order to avoid burns.
21. Microwave heating of beverages can result in delayed eruptive boiling, therefore care must be taken when handling the container.
22. The appliance is not intended for use by persons (including children) with reduced physical, sensory or mental capabilities, or lack of experience and knowledge, unless they have been given supervision or instruction concerning use of the appliance by a person responsible for their safety.
23. Children should be supervised to ensure that they do not play with the appliance.
24. The appliances are not intended to be operated by means of an external timer or separate remote control system.
25. Accessible parts may become hot during use. Young children should be kept away during operating.
26. Steam cleaner shall not be used.
27. During use the appliance becomes hot. Care should be taken to avoid touching heating elements inside the oven.

**Warning:** The appliance and its accessible parts become hot during use. Care should be taken to avoid touching heating elements. Children less than 8 years of age shall be kept away unless continuously supervised.

28. The rear surface of appliance shall be placed against a wall.
29. The microwave oven must not be placed in a cabinet.
30. The microwave oven is intended for heating food and beverages. Drying of food or clothing and heating of warming pads, slippers, sponges, damp cloths and similar may lead to risk of injury and ignition or fire.

### **DANGER: Electric Shock Hazard**

Touching some of the internal components can cause serious personal injury or death. Do not disassemble this appliance.

### **WARNING: Electric Shock Hazard**

Improper use of the grounding can result in electric shock. Do not plug into an outlet until appliance is properly installed and grounded. This appliance must be grounded. In the event of an electrical short circuit, grounding reduces the risk of electric shock by providing an escape wire for the electric current. This appliance is equipped with a cord having a grounding wire with a grounding plug. The plug must be plugged into an outlet that is properly installed and grounded. Consult a qualified electrician or serviceman if the grounding instructions are not completely understood or if doubt exists as to whether the appliance is properly grounded. If it is necessary to use an extension cord, use only a 3-wire extension cord.

1. A short power-supply cord is provided to reduce the risks resulting from becoming entangled in or tripping over a longer cord.
2. If a long cord set or extension cord is used:
  - The marked electrical rating of the cord set or extension cord should be at least as great as the electrical rating of the appliance.
  - The extension cord must be a grounding-type 3-wire cord.
  - The long cord should be arranged so that it will not drape over the counter top or tabletop where it can be pulled on by children or tripped over unintentionally.

## CLEANING

Be sure to unplug the appliance from the power supply.

1. Clean the cavity of the oven after using with a slightly damp cloth.
2. Clean the accessories in soapy water.
3. The door frame, seal and neighboring parts must be cleaned carefully with a damp cloth when they are dirty.
4. Do not use harsh abrasive cleaners or sharp metal scrapers to clean the oven door glass since they can scratch the surface, which may result in shattering of the glass.
5. Cleaning Tip: For easier cleaning of the cavity walls that the food cooked can touch: Place half a lemon in a bowl, add 300ml of water and heat on 100% microwave power for 10 minutes. Wipe the oven clean using a soft, dry cloth.

## UTENSILS

### CAUTION: Personal Injury Hazard

It is hazardous for anyone other than a competent person to carry out any service or repair operation that involves the removal of a cover which gives protection against exposure to microwave energy.

See the instructions on "Materials you can use in microwave oven or to be avoided in microwave oven." There may be certain non-metallic utensils that are not safe to use for microwaving. If in doubt, you can test the utensil in question following the procedure below.

Utensil Test:

1. Fill a microwave-safe container with 1 cup of cold water (250ml) along with the utensil in question.
2. Cook on maximum power for 1 minute.
3. Carefully feel the utensil. If the empty utensil is warm, do not use it for microwave cooking.
4. Do not exceed 1 minute cooking time.

## MATERIALS YOU CAN USE IN A MICROWAVE OVEN

Utensils	Remarks
Browning dish	Follow manufacturer's instructions. The bottom of browning dish must be at least 3/16 inch (5mm) above the turntable. Incorrect usage may cause the turntable to break.
Dinnerware	Microwave-safe only. Follow manufacturer's instructions. Do not use cracked or chipped dishes.
Glass jars	Always remove lid. Use only to heat food until just warm. Most glass jars are not heat resistant and may break.
Glassware	Heat-resistant oven glassware only. Make sure there is no metallic trim. Do not use cracked or chipped dishes.
Oven cooking bags	Follow manufacturer's instructions. Do not close with metal tie. Make slits to allow steam to escape.
Paper plates and cups	Use for short-term cooking/warming only. Do not leave oven unattended while cooking.

Paper towels	Use to cover food for reheating and absorbing fat. Use with supervision for a short-term cooking only.
Parchment paper	Use as a cover to prevent splattering or a wrap for steaming.
Plastic	Microwave-safe only. Follow the manufacturer's instructions. Should be labeled "Microwave Safe". Some plastic containers soften, as the food inside gets hot. "Boiling bags" and tightly closed plastic bags should be slit, pierced or vented as directed by package.
Plastic wrap	Microwave-safe only. Use to cover food during cooking to retain moisture. Do not allow plastic wrap to touch food.
Thermometers	Microwave-safe only (meat and candy thermometers).
Wax paper	Use as a cover to prevent splattering and retain moisture.

## MATERIALS TO BE AVOIDED IN A MICROWAVE OVEN

Utensils	Remarks
Aluminum tray	May cause arcing. Transfer food into microwave-safe dish.
Food carton with metal handle	May cause arcing. Transfer food into microwave-safe dish.
Metal or metal-trimmed utensils	Metal shields the food from microwave energy. Metal trim may cause arcing.
Metal twist ties	May cause arcing and could cause a fire in the oven.
Paper bags	May cause a fire in the oven.
Plastic foam	Plastic foam may melt or contaminate the liquid inside when exposed to high temperature.
Wood	Wood will dry out when used in the microwave oven and may split or crack.

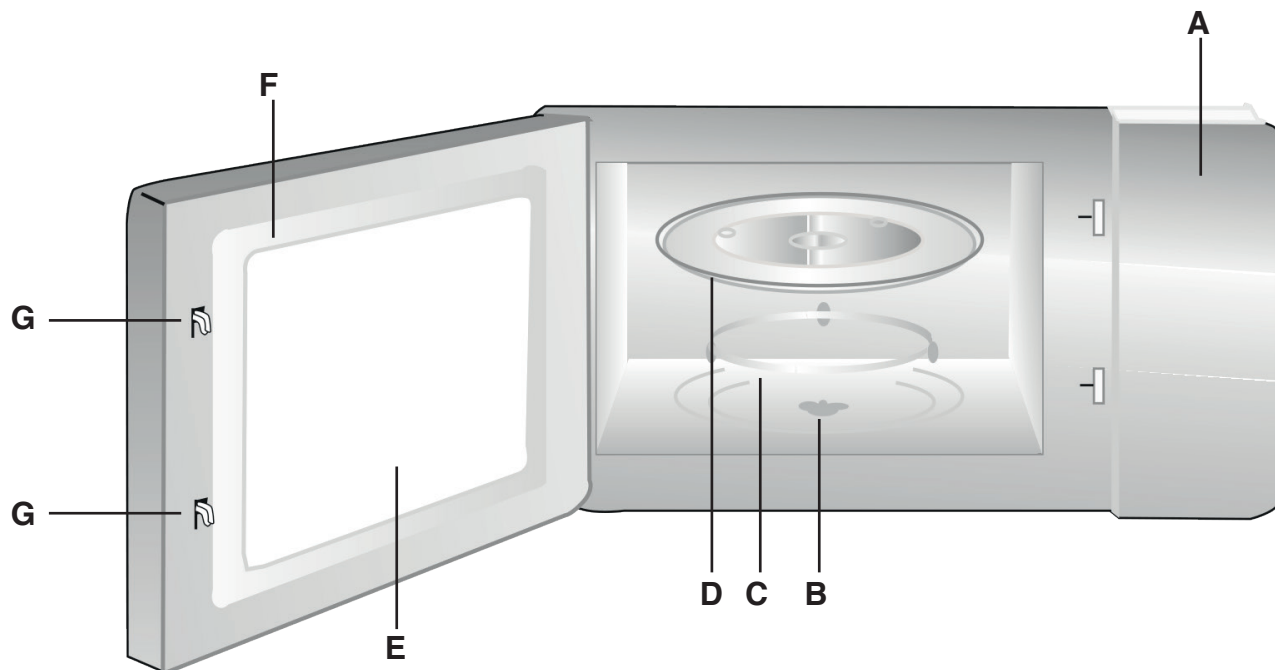
## SETTING UP YOUR OVEN

**Remove the oven and all materials from the carton and oven cavity.**

Your oven comes with the following accessories:

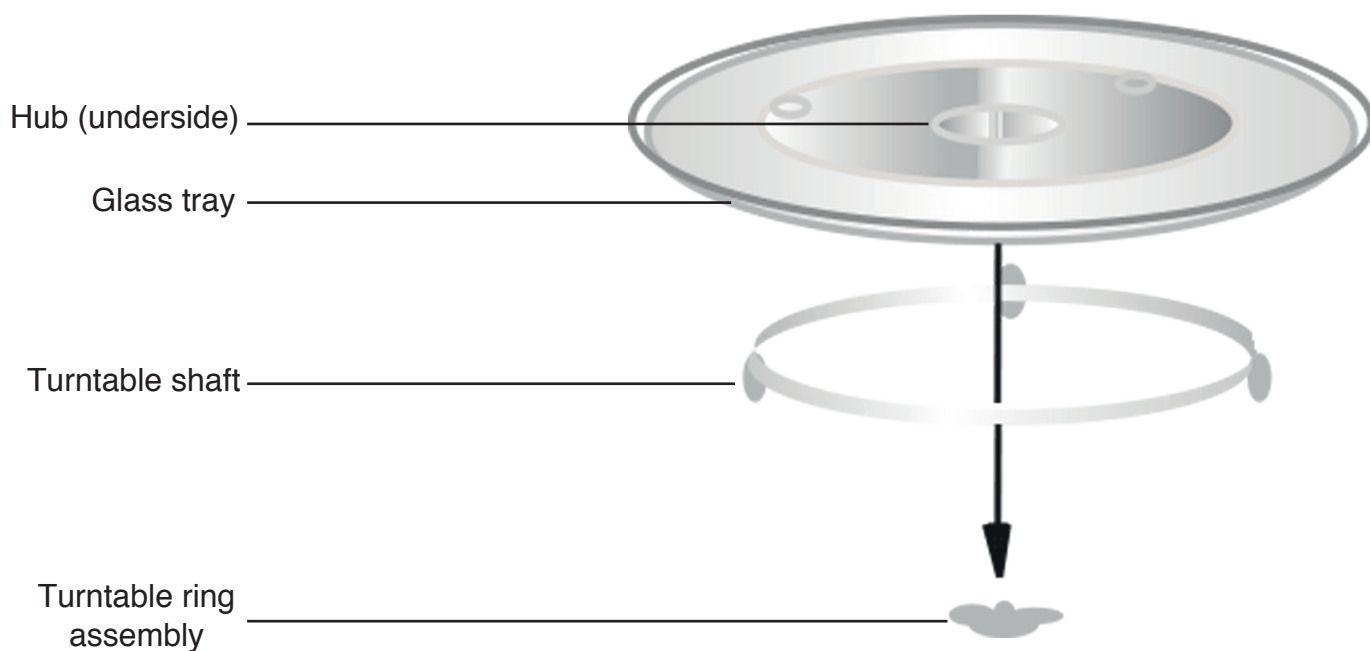
Glass tray	1 pcs
Turntable ring assembly	1 pcs
Instruction Manual	1 pcs

- A) Control panel
- B) Turntable shaft
- C) Turntable ring assembly
- D) Glass tray
- E) Observation window
- F) Door assembly
- G) Safety interlock system



### TURNTABLE INSTALLATION

- a) Never place the glass tray upside down. The glass tray should never be restricted.
- b) Both glass tray and turntable ring assembly must always be used during cooking.
- c) All food and containers of food are always placed on the glass tray for cooking.
- d) If glass tray or turntable ring assembly cracks or breaks, contact your nearest authorized service center.



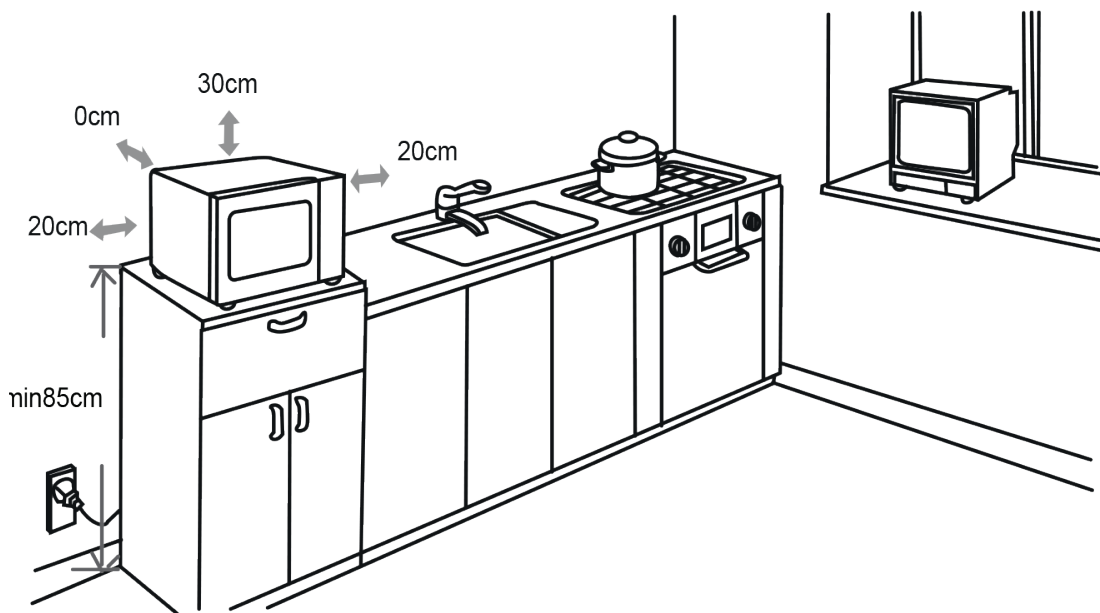
## COUNTERTOP INSTALLATION

- Remove all packing material and accessories. Examine the oven for any damage such as dents or broken door. Do not install if oven is damaged.
- Cabinet: Remove any protective film found on the microwave oven cabinet surface. Do not remove the light brown Mica cover that is attached to the oven cavity to protect the magnetron.

EN

### Installation

1. Select a level surface that provides enough open space for the intake and/or outlet vents.
  - a) The minimum installation height is 85cm.
  - b) The rear surface of appliance shall be placed against a wall. Leave a minimum clearance of 30cm above the oven, a minimum clearance of 20cm is required between the oven and any adjacent walls.
  - c) Do not remove the legs from the bottom of the oven.
  - d) Blocking the intake and/or outlet openings can damage the oven.
  - e) Place the oven as far away from radios and TV's as possible. Operation of microwave oven may cause interference to your radio or TV reception.
2. Plug your oven into a standard household outlet. Make sure the voltage and the frequency is the same as the voltage and the frequency on the rating label.



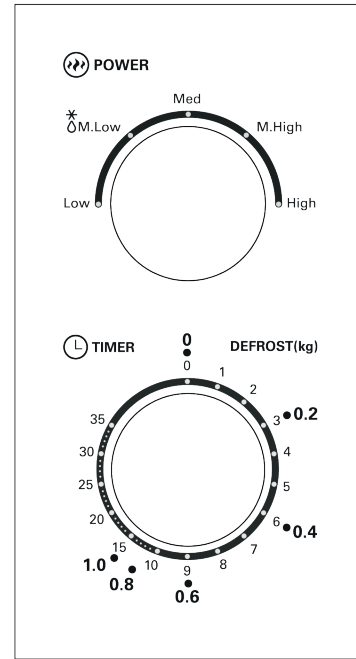
**WARNING:** Do not install oven over a range cooktop or other heat-producing appliance. If installed near or over a heat source, the oven could be damaged and the warranty would be void.

**The accessible surface may be hot during operation.**

## CONTROL PANELS AND FEATURES

### Operation Instructions

1. To set cooking power by turning the power knob to desired level.
2. To set the time of cooking by turning the timer knob to desired time per your food cooking guide.
3. The microwave oven will automatically start cooking after power level and time are set.
4. After the cooking time is up, the unit will "Dong" to stop.
5. If the unit is not in use, always set time to "0".
6. The outer scale is for defrosting according to weight in kg. There are 5 options, from 0.2-1.0 kg.



Function/Power	Output	Application
Low	17% micro	Soften ice cream
Med. Low (Defrost)	33% micro	Soup stew, soften butter or defrost
Med.	55% micro	Stew, fish
Med. High	77% micro	Rice, fish, chicken, ground meat
High	100% micro	Reheat, milk, boil water, vegetables, beverage

**Notice:** When removing food from the oven, please ensure that the oven power is switched off by turning the timer switch to 0 (zero). Failure to do so, and operating the microwave oven without food in it, can result in overheating and damage to the magnetron.

## TROUBLE SHOOTING

### NORMAL:

Microwave oven is interfering with TV reception	Radio and TV reception may be interfered when microwave oven is operating. It is similar to the interference of small electrical appliances like mixer, vacuum cleaner and electrical fan. It is normal.
Dim oven light	In low power microwave cooking, oven light may become dim. It is normal.
Steam accumulating on door, hot air comes out from vents	When cooking, steam may come out of foods. Most will get out from vents, but some may accumulate in cool places like oven door. It is normal.
Oven started accidentally with no food in	It is forbidden to run the unit without any food inside. This can be very dangerous.



Trouble	Possible Cause	Remedy
Oven cannot be started	1) Power cord is not plugged in tightly. 2) Fuse blowing or circuit breaker works. 3) Trouble with outlet.	1) Unplug, then plug in again after 10 seconds. 2) Replace fuse or reset circuit breaker (repair by authorized service personnel only). 3) Test outlet with other electrical appliances.
Oven does not heat	Door is not closed well.	Close door well.

## Specifications

Model:	CHMW012/CHMW011
Rated Voltage:	230V~ 50Hz
Rated Input Power(Microwave):	1050W
Rated Output Power(Microwave):	700 W
Oven Capacity:	20 L
Turntable Diameter:	255 mm
External Dimensions:	440 x 359 x 259 mm
Net Weight:	10,23 kg

## Warranty

Champion Nordic guarantees that this product is free from manufacturing defects in terms of materials and workmanship during a period of 2 years in Sweden, Norway, Denmark and Finland. This warranty period begins on the day the product is purchased or delivered. Champion Nordic has no obligation to repair or replace products that are not accompanied by a valid proof of purchase. This warranty applies only to products purchased and used for home use and does not cover damage resulting from abuse, failure to comply with the instructions from Champion Nordic, cases in which the product has been modified or subjected to unauthorized repair, improper packaging on the part of the owner, normal wear and tear, or improper handling on the part of a transport company.

## Correct Disposal of this product

This marking indicates that this product should not be disposed with other household wastes throughout the EU. To prevent possible harm to the environment or human health from uncontrolled waste disposal, recycle it responsibly to promote the sustainable reuse of material resources.



 **CHAMPION**

Champion®  
Makadamgatan 14 | 254 64 Helsingborg | Sweden  
info@champion.se





## SÄKERHETSFÖRESKRIFTER FÖR ATT UNDVIKA EXPONERING FÖR MIKROVÅGSSTRÅLNING

- Använd inte mikrovågsugnen med öppen lucka, detta kan leda till skadlig exponering för mikrovågsstrålar. Det är viktigt att inte skada eller försöka påverka säkerhetslåsen.
- Placera inga föremål mellan ugnens främre yta och luckan. Låt inte smuts eller rester från rengöringsmedel samlas i tätningstorna.

**VARNING:** Om luckan eller luckans tätning är skadad så skall inte mikrovågsugnen användas förrän den blivit lagad av auktoriserad servicetekniker.

### TILLÄGG

Om inte apparaten inte hålls ren kan ytan brytas ner och påverka apparatens livslängd och därmed leda till en farlig situation..

### SPARA PÅ BRUKSANVISNINGEN FÖR FRAMTIDA BEHOV

### VIKTIGA SÄKERHETSFÖRESKRIFTER

För att minimera brandrisk, risk för elektriska stötar, personskador eller onödig exponering för mikrovågsstrålning när mikrovågsugnen används, följ grundläggande säkerhetsföreskrifter, inkluderat följande:

- Varning:** Vätskor och andra livsmedel skall inte värmas i slutna behållare eftersom de riskerar att explodera.
- Varning:** Det är farligt att låta någon annan än kvalificerad personal göra service eller reparation som innebär att ett skydd som skyddar mot exponering för mikrovågsstrålar avlägsnas.
1. Denna apparat kan användas av barn från 8 år och uppåt och personer med nedsatt fysisk eller mental förmåga eller brist på erfarenhet och kunskap om de övervakas eller får instruktioner angående användning av apparaten på ett säkert sätt och förstår riskerna. Barn ska inte leka med apparaten. Rengöring och underhåll får inte göras av barn såvida de inte är äldre än åtta och övervakade.
  2. Håll apparaten och sladden utom räckhåll för barn under 8 år.
  3. Använd endast redskap som lämpar sig för användning i mikrovågsugn.
  4. Mikrovågsugnen ska rengöras regelbundet och eventuella matrester torkas bort.
  5. När mat värms i plast- eller pappersbehållare, håll koll på ugnen så att behållaren inte antänds.
  6. Om det sker rökutveckling, stäng av eller dra ur kontakten ur väggen och låt luckan vara stängd för att kväva eventuella eldslågor.
  7. Låt inte maten värmas för länge.
  8. Använd inte tillagningsutrymmet som förvaringsplats.
  9. Förvara inte livsmedel så som bröd, kakor osv. i mikrovågsugnen.
  10. Ta bort påsklämmor med metalltrådar och metallhantag från pappers- eller plastbehållare/ påsar innan de placeras i mikrovågsugnen.
  11. Installera eller placera mikrovågsugnen endast i enlighet med de medföljande monteringsanvisningarna.
  12. Ägg med skal och hela, hårdkokta ägg ska inte värmas i mikrovågsugn då de kan explodera även efter att uppvärmningen har avslutats.
  13. Mikrovågsugnen är avsedd för hushållsbruk och liknande så som:
    - personalrum i butiker, på kontor och andra arbetsmiljöer;
    - hotellgäster och gäster på andra typer av boenden så som motell, bed and breakfast, vandrarhem osv.
  14. Om elkontakten skadats måste den bytas ut av tillverkaren, tillverkarens servicetekniker eller annan behörig person för att undvika faror.

15. Använd inte och förvara inte mikrovågsugnen utomhus.
16. Använd inte mikrovågsugnen nära vatten, i en fuktig källare eller nära en swimmingpool.
17. Åtkomliga ytor kan vara varma när mikrovågsugnen används. Ytorna kan bli varma vid användning. Håll sladden borta från varma ytor och täck inte över mikrovågsugnens ventilation.
18. Låt inte sladden hänga över en bordskant eller köksbänkens kant.
19. Om inte mikrovågsugnen hålls ren kan ytan försämrats vilket kan försämra apparatens livslängd och eventuellt leda till en farlig situation.
20. Innehållet i nappflaskor och barnmatsburkar ska skakas eller omröras och temperaturen måste kontrolleras innan konsumtion för att undvika brännskador.
21. Värma dryck i mikrovågsugn kan leda till försenad kokning så var försiktig när du hanterar behållaren.
22. Mikrovågsugnen är inte avsedd att användas av personer (inklusive barn) med nedsatt fysisk eller mental förmåga eller brist på erfarenhet och kunskap, såvida de inte övervakas eller får instruktioner angående användning av apparaten av en person som ansvarar för deras säkerhet.
23. Barn bör övervakas så att de inte leker med mikrovågsugnen.
24. Mikrovågsugnen är inte avsedd för att drivas av en extern timer eller en separat fjärrkontroll.
25. Åtkomliga delar kan bli varma under användning. Små barn skall hållas på avstånd då mikrovågsugnen används.
26. Använd inte ångtvätt.
27. Mikrovågsugnen blir varm under användning. Var försiktigt att inte röra vid värmeelementen i ugnen.

**Varning:** Mikrovågsugnen och dess åtkomliga delar blir varma under användning. Undvik att röra värmeelementen. Barn under 8 år skall hållas utom räckhåll såvida de inte är under ständig övervakning.

28. Baksidan på mikrovågsugnen skall placeras mot en vägg.
29. Mikrovågsugnen får inte placeras i ett skåp.
30. Mikrovågsugnen är avsedd för att värma mat och dryck. Torra livsmedel eller kläder samt uppvärmning av värmekuddar, tofflor, tvättsvampar, fuktiga trasor och liknande kan leda till skador och brand.

#### **FARA: Risk för elektriska stötar**

Att vidröra några av de inre komponenterna kan ge allvarliga personskador och kan även leda till dödsfall. Plocka inte isär mikrovågsugnen.

#### **WARNING: Risk för elektriska stötar**

Felaktig användning av jordkontakten kan leda till en elektrisk stöt. Koppla inte in i ett eluttag förrän mikrovågsugnen är korrekt installerad och jordad. Apparaten måste vara jordad. I händelse av en elektrisk kortslutning minskar jord risken för elektriska stötar genom att tillhandahålla en avledningsledning för den elektriska strömmen. Mikrovågsugnen är utrustad med en sladd med jordledning med en jordad stickkontakt. Kontakten måste anslutas till ett eluttag som är korrekt installerat och jordat. Konsultera en kvalificerad elektriker eller servicetekniker om jordinstruktioner inte är helt klarlagda, eller om tvivel råder om huruvida apparaten är ordentligt jordad. Om det är nödvändigt att använda en förlängningssladd, använder endast 3-fas förlängningssladd.

1. En kort elsladd medföljer för att minska risken för att den ska bli intrasslad eller risken att man snubblar över en längre sladd.
2. Om en lång sladd eller förlängningssladd används:
  - Sladden eller förlängningssladdens elektriska klassificering ska vara minst lika hög som mikrovågsugnens elektriska klassificering.
  - Förlängningssladden måste vara en jordad 3-fas sladd.
  - En lång sladd ska fästas på så sätt att den inte hänger över en kant där barn kan dra i den eller någon kan råka snubbla över den.

## RENGÖRING

Var noga med att dra ur elkontakten ur eluttaget.

1. Rengör ugnens insida med en lätt fuktad trasa.
2. Rengör tillbehören i vatten med diskmedel.
3. Luckan, tätningen och kringliggande delar måste rengöras försiktigt med en fuktig trasa när det är smutsigt.
4. Använd inte rengöringsmedel med slipmedel eller vassa metallskrapor för att rengöra glaset i ugnsluckan då detta kan skada ytan och leda till att glaset spricker.
5. Rengöringstips: För att lättare kunna rengöra väggarna i ugnsutrymmet som den tillagade maten kan komma i kontakt med: Lägg en halv citron i en skål, tillsätt 3 dl vatten och värm på full effekt (100 %) i 10 minuter. Torka rent ugnen med en mjuk, torr trasa.

## REDSKAP

### **WARNING: Risk för personskada**

Det är farligt för andra än utbildad personal att utföra någon typ av service eller reparation som innebär att avlägsnande av skydd som skyddar mot mikro vågsstrålning.

Se instruktioner i avsnitten "Material du kan använda i mikro vågsugnen eller material som skall undvikas i mikro vågsugnen". Det finns vissa icke-metalliska redskap som inte kan användas i mikro vågsugn. Om du är tveksam kan du testa redskapet i fråga genom att följa proceduren nedan.

Redskapstest:

1. Fyll en mikro vågssäker behållare med 2,5 dl kallt vatten tillsammans med redskapet i fråga.
2. Kör på full effekt i 1 minut.
3. Känn försiktigt på redskapet. Om redskapet är varmt, använd det inte för tillagning i mikro vågsugnen.
4. Överstig inte 1 minuts tillagningstid.

## Material du kan använda i mikro vågsugn

Redskap	Anmärkning
Bryningsskål	Följ tillverkarens instruktioner. Skålens botten måste vara minst 5 mm ovanför den roterande bottenplattan. Felaktig användning kan leda till att bottenplattan går sönder.
Porslin	Endast mikro vågsugnssäker. Följ tillverkarens instruktioner. Använd inte spräckta eller kantstötta tallrikar.
Glasburkar	Ta alltid bort locket. Värm endast upp maten. De flesta glasburkar är inte värmetåliga och kan gå sönder.
Glas	Endast värmetåligt glas. Kontrollera så att glaset inte har en metallkant. Använd inte spräckta eller kantstötta tallrikar.
Ugnspåsar	Följ tillverkarens instruktioner. Stäng inte med metallclips. Gör en skåra i påsen så att ångan kan komma ut.
Papperstallrikar och muggar	Använd endast för korttidstillagning/uppvärmning. Lämna inte ugnen övervakad när den är igång.

Hushållspapper	Använd för att täcka över mat vid uppvärmning och för att absorbera fett. Används bara för korta perioder och under övervakning.
Bakplåtspapper	Använd som skydd för att förhindra stänk eller för att svepa in vid ångkokning
Plast	Endast mikrovågssäker. Följ tillverkarens instruktioner. Bör vara märkt "Mikrovågssäker". Vissa plastbehållare blir mjuka när innehållet blir varmt. "Kokpåsar" och tätslutande plastpåsar ska ventileras t.ex. genom en skåra eller att du gör små hål.
Plastfolie	Endast mikrovågssäker. Använd för att täcka över mat vid tillagning för att hålla kvar fukt. Låt inte plastfolien röra vid maten.
Termometer	Endast mikrovågssäker (kött- och sockertermometer).
Vaxpapper	Använd som skydd för att förhindra stänk och hålla kvar fukt.

### Material som ska undvikas i mikrovågsugnen

Redskap	Anmärkning
Aluminiumbricka	Kan bli missformad. Lägg maten på ett mikrovågssäkert fat.
Matbehållare med metallhandtag	Kan bli missformad. Lägg maten på ett mikrovågssäkert fat.
Metall redskap eller redskap med metallkant	Metall reflekterar mikrovågsstrålningen. Metallkanter kan bli missformade.
Klämmor med metalltrådar	Kan bli missformade och orsaka brand i ugnen.
Papperspåsar	Kan orsaka brand i ugnen.
Plastskum	Plastskum kan smälta eller kontaminera vätskan i behållaren när det utsätts för höga temperaturer.
Trä	Trä torkar ut när det används i mikrovågsugn och kan spricka.

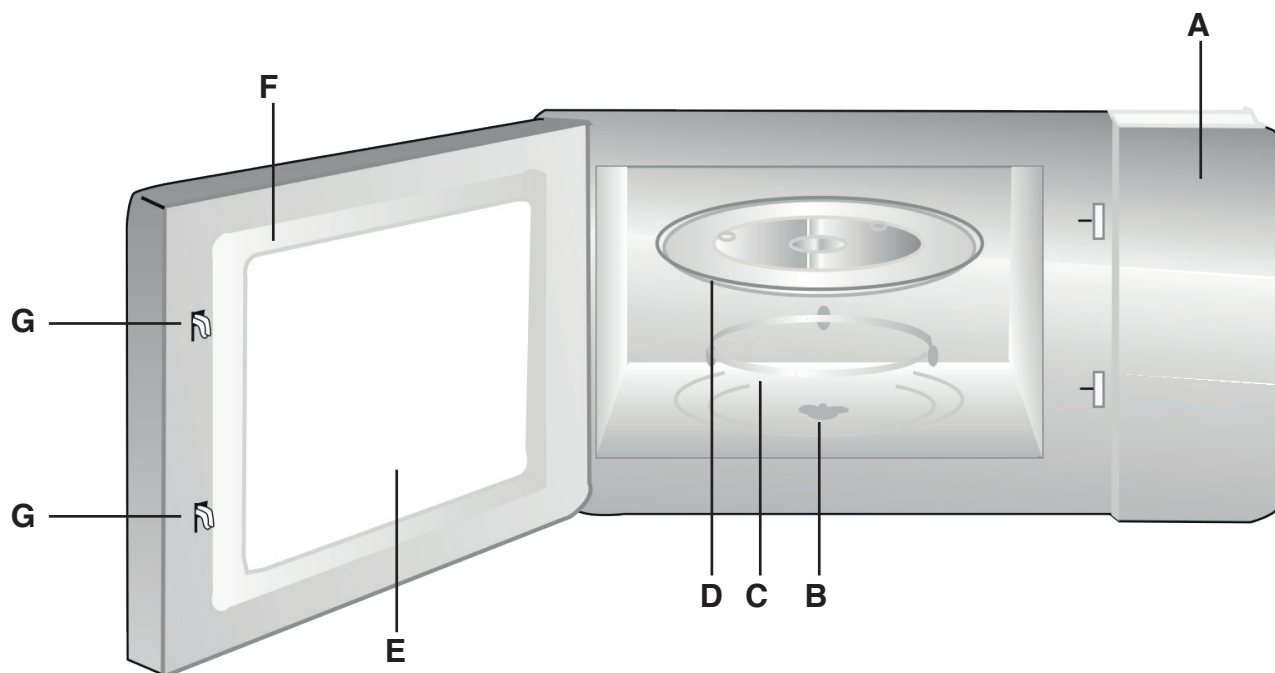
### INNAN DU ANVÄNDER MIKROVÅGSUGNEN FÖR FÖRSTA GÅNGEN

**Avlägsna ugnen och allt material från kartongen och ugnsutrymmet.**

Din ugn kommer med följande tillbehör:

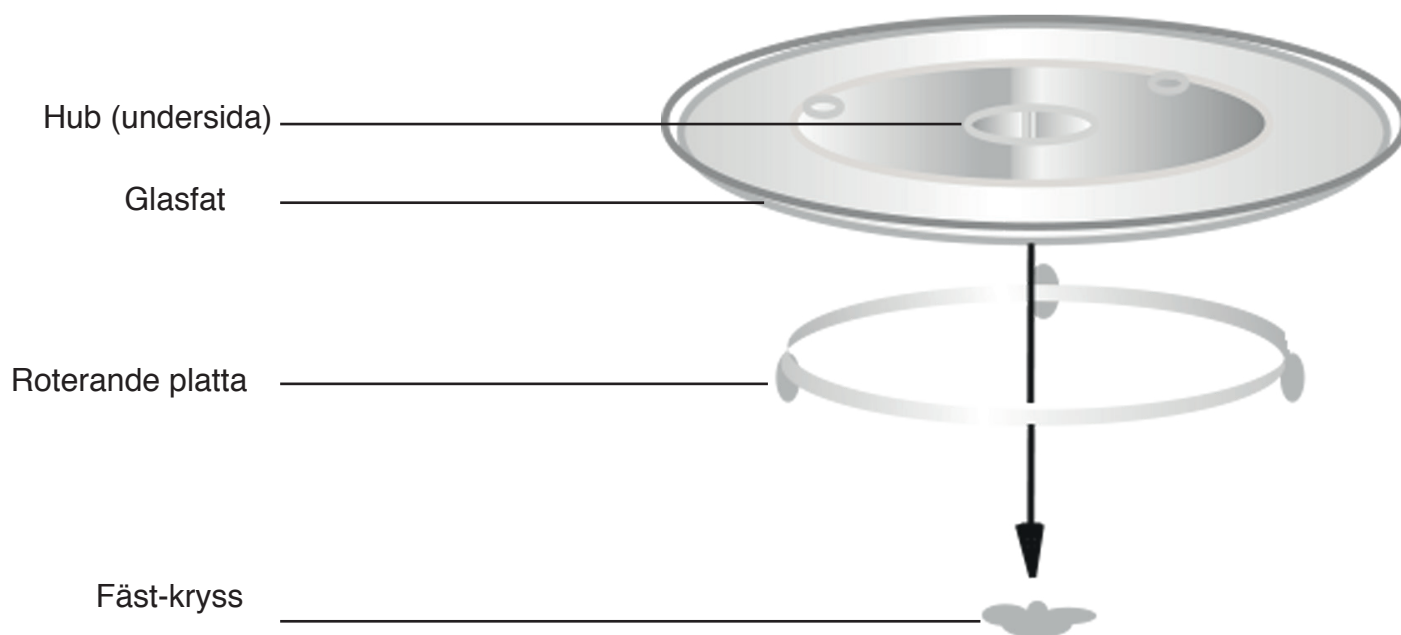
Glasfat	1 st.
Kryss till roterande bottenplatta	1 st.
Bruksanvisning	1 st.

- A) Kontrollpanel
- B) Axel till roterande bottenplatta
- C) Kryss till roterande bottenplatta
- D) Glasfat
- E) Observationsfönster
- F) Dörrenhet
- G) Säkerhetslåssystem



### Installation av den roterande bottenplattan

- Placera aldrig glasfatet upp och ner. Glasfatet skall aldrig vara begränsat.
- Både glasfatet och krysset måste alltid användas vid tillagning.
- Mat och matbehållare placeras alltid på glasfatet för tillagning.
- Om glasfatet eller krysset till den roterande bottenplattan spricker eller går sönder, kontakta ditt närmaste auktoriserade servicecenter.



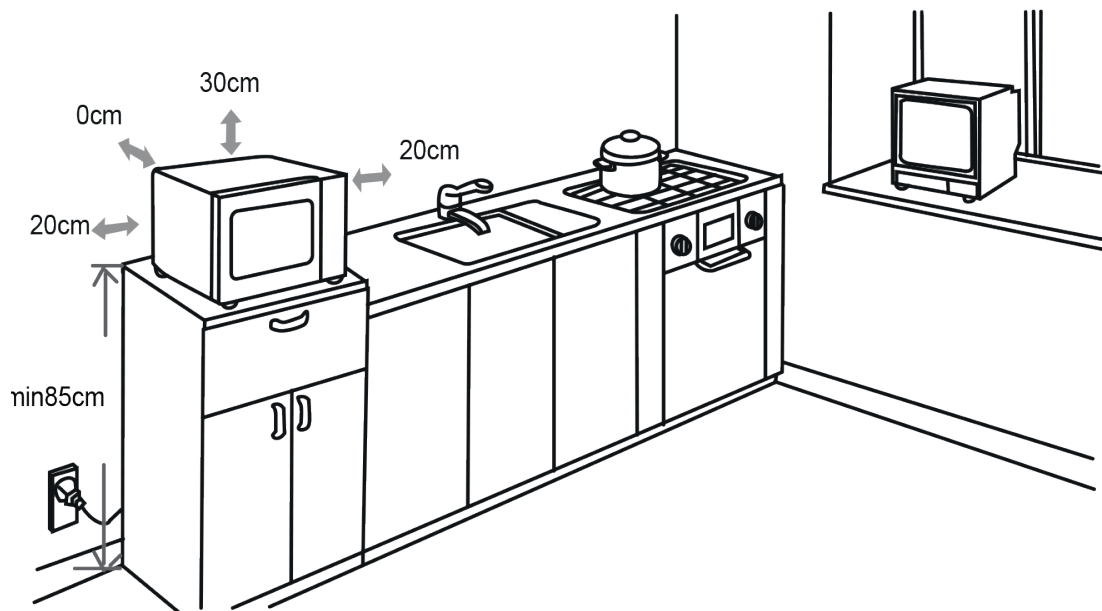
## Installation på köksbänk

- Avlägsna allt förpackningsmaterial och tillbehör. Kontrollera att mikrovågsugnen inte har några skador så som bucklor eller trasig lucka. Installera inte om ugnen är skadad.
- Yttre hölje: Avlägsna eventuell skyddande film som finns på mikrovågsugnens yttre hölje. Ta inte bort det ljusbruna pappskyddet som sitter i ugnsutrymmet för att skydda magnetron.

SV

### Installation

- a) Välj en plan yta som ger tillräckligt med öppet utrymme för ventilationens insug och utsläpp. Minsta installationshöjd är 85 cm.
  - b) Mikrovågsugnens baksida skall placeras mot en vägg. Lämna ett utrymme på minst 30 cm ovanför ugnen och minst 20 cm mellan ugnen och kringliggande väggar.
  - c) Ta inte bort benen från ugnens undersida.
  - d) Om öppningar för insug och utsläpp är blockerade kan detta skada ugnen.
  - e) Placera ugnen så långt borta från radio och TV som möjligt. Drift av mikrovågsugn kan störa din radio och TV-mottagning.
2. Koppla in din ugn till ett vanligt eluttag. Kontrollera att spänning och frekvens är samma som på märketiketten.



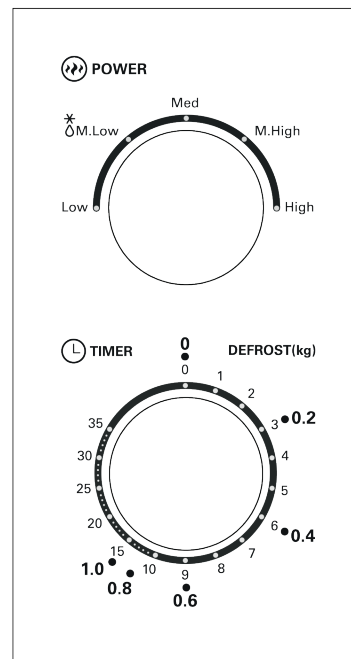
**WARNING:** Installera inte ugnen över en kokhäll eller annan värmeproducerande apparat. Om den installeras nära eller över en värmekälla, kan ugnens skadas och garantin gäller inte.

**Åtkomliga ytor kan bli varma under drift.**

## Kontrollpanel och funktioner

### Driftsinstruktioner

1. Välj tillagningseffekt genom att vrida effektväljaren till önskad nivå.
2. Välj tillagningstid genom att ställa in timern till önskad tid i enlighet med din tillagningsguide.
3. Mikrovågsugnen startar automatiskt när effektnivå och tid har valts.
4. När tillagningstiden är slut så hörs ett "Dong"-ljud.
5. Ställ alltid in tiden till "0" när mikrovågsugnen inte används.
6. Den yttre skalan är för avfrostning enligt vikt i kg. Det finns 5 alternativ, från 0.2-1.0 kg.



Funktion/Effekt	Uteffekt	Tillämpning
Low	17% mikro	Mjuka upp glass
Med. Low (Defrost)	33% mikro	Soppor, grytor, mjuka upp smör eller tina
Med.	55% mikro	Grytor, fisk
Med. High	77% mikro	Ris, fisk, kyckling, malet kött
High	100% mikro	Uppvärmning, mjölk, koka vatten, grönsaker, dryck

**OBS:** När du avlägsnar mat från ugnen, kontrollera så att strömmen till ugnen är avstängd genom att vrida timern till 0 (noll). Om detta inte är gjort, och mikrovågsugnen drivs utan mat i den, kan detta leda till överhettning och skada på magnetron.

### Felsökning

#### Normal:

Mikrovågsugnen stör TV-mottagningen	Radio och TV-mottagningen kan störas när mikrovågsugnen är i drift. Det liknar störningarna från små elektriska apparater som mixer, dammsugare och fläkt. Det är normalt.
Svag ugnslampa	När effektnivån för tillagning är låg kan ugnslampan vara svag. Det är normalt.
Ånga ackumuleras på luckan, varm luft kommer ut från ventilationen	När mat tillagas kan ånga komma ur maten. Det mesta kommer ut genom ventilationen men ibland kan det ackumuleras på svala platser som ugnsluckan. Det är normalt.
Ugnen råkar starta utan någon mat inuti	Det är förbjudet att använda mikrovågsugnen utan mat inuti. Detta kan vara mycket farligt.



Problem	Möjlig orsak	Åtgärd
Ugnen kan inte starta	1) Kontakten sitter inte i ordentligt. 2) En säkring har gått eller överlastsbrytaren har slagit av. 3) Problem med eluttaget.	1) Dra ur kontakten, sätt in den igen efter 10 sekunder. 2) Byt säkring eller återställ överlastsbrytaren (reparation endast av auktoriserad servicetekniker). 3) Testa eluttaget med andra elektriska apparater.
Ugnen värmer inte	Luckan är inte ordentligt stängd.	Stäng luckan ordentligt.

### Specifikationer

Modell:	CHMW012/CHMW011
Spänning:	230V~ 50Hz
Ingående effekt (Mikrovåg):	1050W
Utgående effekt (Mikrovåg):	700 W
Ugnsvolym:	20 L
Diameter roterande bottenplatta:	255 mm
Yttre mått:	440 x 359 x 259 mm
Nettovikt:	10,23 kg

### Garanti

Champion Nordic garanterar att den här produkten är fri från tillverkningsdefekter vad gäller material och hantverk under 2 år i Sverige, Norge, Danmark och Finland. Garantin börjar löpa den dag då produkten köps eller levereras. Champion Nordic har ingen skyldighet att reparera eller ersätta produkter som inte åtföljs av ett giltigt inköpsbevis. Denna garanti gäller endast för produkter som köps och används för hemmabruk och omfattar inte skador som uppstår till följd av missbruk, misslyckande med att följa Champion Nordics instruktioner eller då produkten har modifierats eller utsatts för en ej godkänd reparation, felaktig emballering av ägaren, normalt slitage eller felhantering av ett transportföretag.

### Korrekt avfallshantering

Denna symbol på produkten eller i instruktionerna betyder att den ska slängas separat från annat hushållsavfall när den inte fungerar längre. Inom EU finns separata återvinningssystem för avfall. Kontakta lokala myndigheter eller din återförsäljare för mer information.



Champion®  
Makadamgatan 14 | 254 64 Helsingborg | Sweden  
info@champion.se



- Forsøg ikke at betjene denne mikrobølgeovn med døren åben, da dette kan medføre skadelig eksponering af mikrobølger. Det er vigtigt ikke at ødelægge eller manipulere sikkerhedslåsene.
- Placér ikke objekter mellem fronten på ovnen og døren og lad ej heller skidt og rensmidler op-hobe sig på de forseglende overflader

**ADVARSEL:** Hvis dørene eller forseglingerne er beskadigede, må ovnen ikke betjenes, før den er blevet repareret af en kompetent servicemedarbejder.

### TILFØJELSE

Hvis apparatet ikke rengøres på regelmæssig basis, kan overfladen tage skade og derved forkorte apparatets levetid, hvilket kan føre til farlige situationer.

## GEM DISSE INSTRUKTIONER TIL FREMTIDIG BRUG

### VIGTIGE SIKKERHEDSFORANSTALTNINGER

For at reducere risikoen for brand, elektrisk stød, personskade eller eksponering af mikrobølger ved brug af apparatet, følg da venligst de grundlæggende vejledninger, inklusive de følgende punkter:

- ADVARSEL:** Væsker og fødevarer må ikke opvarmes i forseglede beholdere grundet eksplosionsfare.
- ADVARSEL:** Det er farligt for alle andre end kompetente fagpersoner at udføre service- eller reparationsarbejde på apparatet, hvis processen indebærer fjernelse af beskyttelsesafdækningen, der beskytter mod eksponering af mikrobølger.

1. Dette apparat kan benyttes af børn fra 8 år og opefter samt af personer med reduceret, fysiske, følelsesmæssige eller mentale evner, såfremt de er under opsyn eller har fået tilstrækkelige instruktioner angående sikker brug af apparatet og samtidig forstår faremomenterne. Børn må ikke lege med apparatet. Rengøring og vedligeholdelse må ikke foretages af børn, medmindre de er ældre end 8 år gamle og er under opsyn.
2. Hold apparatet og dets ledning uden for børns rækkevidde, hvis de ikke er fyldt 8 år.
3. Benyt udelukkende redskaber, der er velegnede til brug i mikrobølgeovn.
4. Ovnen bør rengøres regelmæssigt, og eventuelle madrester bør fjernes.
5. Når mad opvarmes i plastic- eller papirbeholdere, bør man holde øje med ovnen grundet fare for antændelse.
6. Hvis der udledes røg, bør man slukke for apparatet og holde døren lukket, så eventuelle flammer kvæles.
7. Brænd ikke maden på.
8. Brug aldrig ovnen med henblik på opbevaring.
9. Opbevar aldrig varer som eksempelvis brød, kager og lignende inde i ovnen.
10. Fjern ståltrådsbindere, poselukkere, metalhåndtag fra papir- eller plasticposer/-beholdere før placering i ovnen.
11. Installér eller placér udelukkende denne ovn i overensstemmelse med de medfølgende instruktioner.
12. Æg med skal samt hele hårdkogte æg må ikke opvarmes i mikrobølgeovnen, da de kan eksplodere, selv efter opvarmningen er færdig.
13. Dette apparat er tiltænkt brug i husholdningen og lignende steder såsom:
  - Personalekøkkener i butikker, på kontorer og andre erhvervsområder.
  - Af kunder på hoteller, moteller og andre opholdssteder.
  - Bed and breakfast-lignende steder.
14. Hvis ledningen er beskadiget, skal den erstattes af producenten, udbyderen eller andre lige så kvalificerede personer, så eventuelle faremomenter undgås.
15. Opbevar ej og benyt ej heller dette apparat udendørs.

16. Anvend ikke denne ovn tæt på vand, i våde kældre eller tæt på en swimmingpool.
17. Temperaturen på frie overflader kan blive høj, når apparatet er i brug. Overfladerne kan blive varme under brug. Hold ledningen væk fra varme overflader og spær ikke for ovns ventilationssystem.
18. Lad ikke ledningen hænge ud over bordkanten.
19. En dårlig rengøring af ovnen kan føre til forværring af overfladens tilstand, hvilket kan forkorte apparatets levetid og eventuelt skabe farlige situationer.
20. Indholdet i sutteflasker og babymadsbeholdere skal røres eller omrystes, og temperaturen tjekkes inden indtagelse for at undgå forbrændinger.
21. Opvarmning af drikkevarer ved hjælp af mikrobølger kan medføre en forsinket eruptiv kogning. Derfor skal omgang med beholderen udføres med største forsigtighed.
22. Apparatet er ikke beregnet til brug af personer (herunder børn) med reducerede fysiske, sensoriske eller mentale evner eller mangel på erfaring og viden, medmindre de er under opsyn eller har fået instruktioner til brug af apparatet fra en person, der er ansvarlig for deres sikkerhed.
23. Børn bør være under opsyn, så man sikrer sig, at de ikke leger med apparatet.
24. Apparatet er ikke beregnet til at blive styret ved hjælp af eksterne timere eller separate fjernbetjeningssystemer.
25. Tilgængelige dele kan blive varme under brug. Børn bør ikke komme tæt på ovnen under brug.
26. Der bør ikke benyttes damprenser til mikrobølgeovnen.
27. Apparatet bliver varmt under brug. Vær varsom med ikke at røre varmeelementerne inde i ovnen

**Advarsel:** Apparatet og dets tilgængelige dele bliver varme under brug. Vær forsigtig med ikke at røre varmeelementerne. Børn under 8 år bør holdes væk fra ovnen, medmindre de er under konstant opsyn.

28. Bagenden på enheden bør placeres op ad en væg.
29. Mikrobølgeovnen må ikke anbringes i et skab.
30. Mikrobølgeovnen er beregnet til opvarmning af mad og drikkevarer. Tørring af mad eller tøj samt opvarmning af varmeguder, hjemmesko, køkkensvampe, fugtige klude og lignende kan føre til personskade samt antændelse og brand.

#### **FARE: Risiko for elektrisk stød**

Berøring af nogle af de interne komponenter kan medføre alvorlig personskade eller dødsfald. Skil ikke apparatet ad.

#### **ADVARSEL: Risiko for elektriske stød**

En forkert brug kan resultere i elektrisk stød. Sæt ikke stikket i stikkontakten, før apparatet er installeret og står på et fast underlag. Bemærk venligst, at dette apparat skal stå på et underlag. I tilfælde af en elektrisk kortslutning, reducerer underlaget risikoen for elektrisk stød, da det stiller en forbindelse til rådighed, hvorigennem strømmen kan undslippe. Dette apparat har en ledning med jord. Stikket skal tilsluttes en tilslutning, der er korrekt installeret og jordet. Konsultér en elektriker eller en servicetekniker, hvis instruktionerne angående jordstik ikke er forstået fuldt ud, eller hvis der er tvivl om, hvorvidt enheden er jordet på korrekt vis. Hvis det er nødvendigt med en forlængerledning, brug da kun en forlængerledning med tre strømføringer.

1. Der medfølger en kort ledning, der minimerer risikoen for, at nogen filtrer ind i ledningen eller snubler over den.
2. Såfremt en lang ledning eller en forlængerledning benyttes:
  - Den angivne elektriske klassificering på ledningen eller forlængerledningen bør som minimum svare til den på apparatet.
  - Forlængerledningen skal være et jordstik med 3 strømledere.
  - Den lange ledning skal arrangeres således, at den ikke hænger ud over bordkanten, hvor børn kan få fat i ledningen. Hænger ledningen ud over bordkanten, kan det ligeledes føre til, at nogen snubler over ledningen.

## RENGØRING

Vær sikker på at hive stikket ud.

1. Rengør indvendigt i ovnen med en let fugtig klud.
2. Rengør tilbehøret i sæbevand.
3. Lågen, forseglingen og tilknyttede dele skal rengøres forsigtigt med en fugtig klud, når de er beskidte.
4. Benyt ej hårdt slibende rengøringsmidler eller skarpe metalskrabere til rengøring af lågen, da disse kan ridse overfladen, hvilket kan resultere i, at glasset splintres.
5. Rengøringstip til en lettere rengøring af de indvendige sider, som den tilberedte mad kan komme i kontakt med: Placér en halv citron i en skål, tilføj 300 ml vand og opvarm ovnen på 100 % styrke. Tør herefter over med en blød, tør klud.

## TILBEHØR

### ADVARSEL: Risiko for personskade

Det er farligt for alle andre end kompetente fagpersoner at foretage serviceeftersyn eller rengøring af ovnen, der involverer fjernelse af afdækningen, der skærmer for mikrobølgestrålingen.

Se instruktionerne i "Materialer, man kan benytte, og materialer, man skal undgå at benytte i mikrobølgeovne". Der kan være visse ikke-metalliske redskaber, der ikke er sikre til brug i mikrobølgeovne. Er der tvivl herom, kan man teste det pågældende redskab ved hjælp af proceduren nedenfor.

Redskabstest:

1. Fyld en mikrobølgeovnssikker beholder med 250 ml vand sammen med det pågældende redskab.
2. Start ovnen på maksimal kraft i 1 minut.
3. Føl forsigtigt på redskabet. Hvis redskabet er varmt, må det ikke benyttes i mikrobølgeovnen.
4. Lad ikke ovnen køre i længere tid end 1 minut.

## Materialer, der kan benyttes i mikrobølgeovn

Redskaber	Bemærkninger
Bruningsfad	Følg producentens anvisninger. Bunden af bruningsfadet skal være mindst 5 mm over drejeskiven. En forkert brug kan medføre brud på drejeskiven.
Service	Brug kun det service, der kan anvendes i mikrobølgeovn. Følg her producentens vejledninger. Brug ikke sprækkede eller skårede fade.
Glaskrucker	Fjern altid låget. Brug dem kun til opvarmning af mad, indtil denne er varmet op. De fleste glaskrucker er ikke varmebestandige og kan derfor splintre.
Glasvarer	Brug kun varmebestandige ovnprodukter. Vær sikker på, at der ikke er nogen metallisk belægning. Benyt ikke revnede eller skårede fade.
Madlavningsposer til ovn	Følg fabrikantens anvisninger. Luk ikke med metalclips. Prik huller, så dampen kan undslippe posen.
Paptallerkener og -krus	Benyt kun disse til kortvarig opvarmning/madlavning. Efterlad ikke ovnen uden opsyn under brug.

Papirservietter	Bruges som afdækning af mad og absorbering af fedt. Anvendes under opsyn og kun til kortvarig madlavning.
Pergamentpapir	Bruges som afdækning til forhindring af sprøjtning eller som indpakning til dampning.
Plastic	Brug kun de produkter, der er sikre til mikrobølgeovn. Følg fabrikantens anvisninger. Bør være mærket sikker til brug i mikrobølgeovn. Nogle plasticbeholdere blødgøres, når maden indeni opvarmes. Kogeposer og tætlukkede poser bør snittes eller prikkes hul i som angivet på pakken.
Plasticindpakning	Brug kun produkter, der er sikre til mikrobølgeovn. Bruges som afdækning af mad til bibeholdelse af fugtighed. Tillad ikke kontakt mellem plasticindpakning og mad.
Termometre	Brug kun produkter, der er sikre til mikrobølgeovn (termometre til kød og søde sager).
Vokspapir	Benyttes som afdækning til forhindring af sprøjtning og bibeholdelse af fugtighed

### Materialer, der skal undgås i mikrobølgeovn

Redskaber	Bemærkninger
Aluminiumsfad	Kan forårsage gnistdannelse. Flyt maden over i et fad, der kan anvendes i mikrobølgeovn.
Madindpakning med metalstrop	Kan forårsage gnistdannelse. Flyt maden over i et fad, der kan anvendes i mikrobølgeovn
Metal eller metalbelagte redskaber	Metal skærmer maden fra mikrobølgeenergi. Metalbelægninger kan forårsage gnistdannelse
Ståltrådsbinder	Kan forårsage gnistdannelse og dermed starte en brand i ovnen.
Papirposer	Kan forårsage brand i ovnen.
Plasticskum	Plasticskum kan smelte eller ødelægge den indvendige væske, hvis udsat for høje temperaturer.
Træ	Træ kan tørre ud ved brug i mikrobølgeovnen og kan dermed flække eller revne.

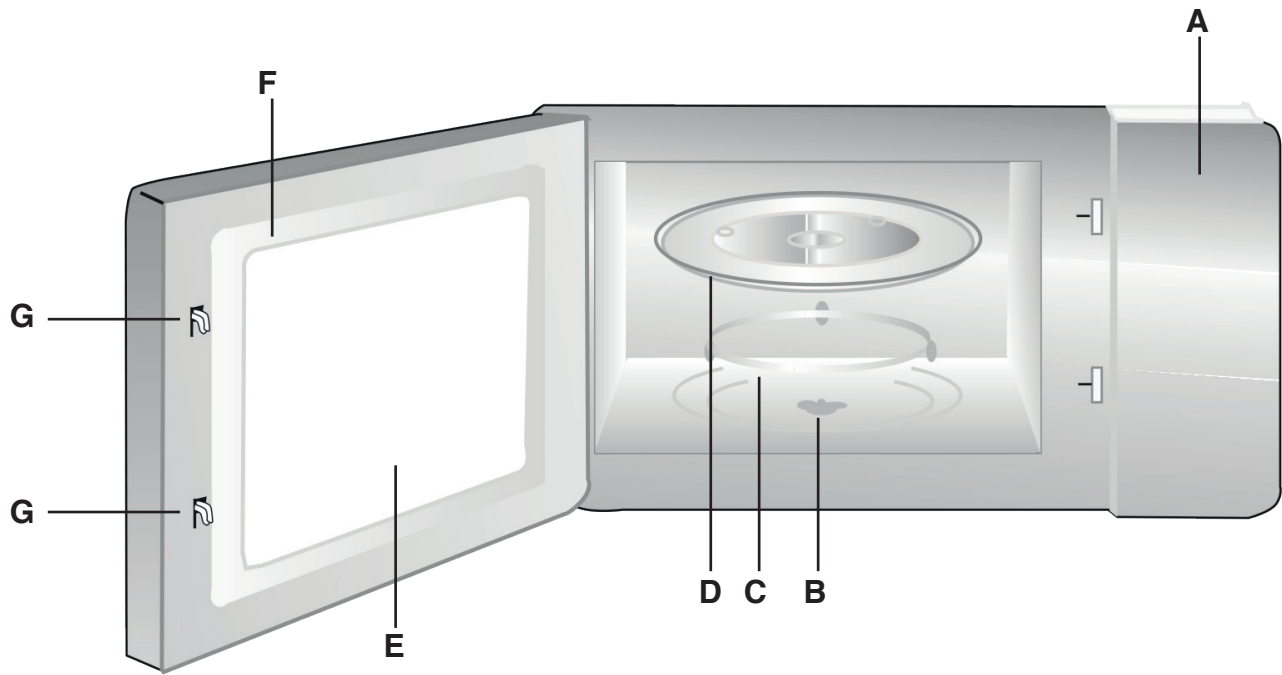
### Opsætning af ovnen

#### Fjern ovnen og alle materialer fra indpakningen og materialerne fra ovnen.

Følgende tilbehør følger med ovnen:

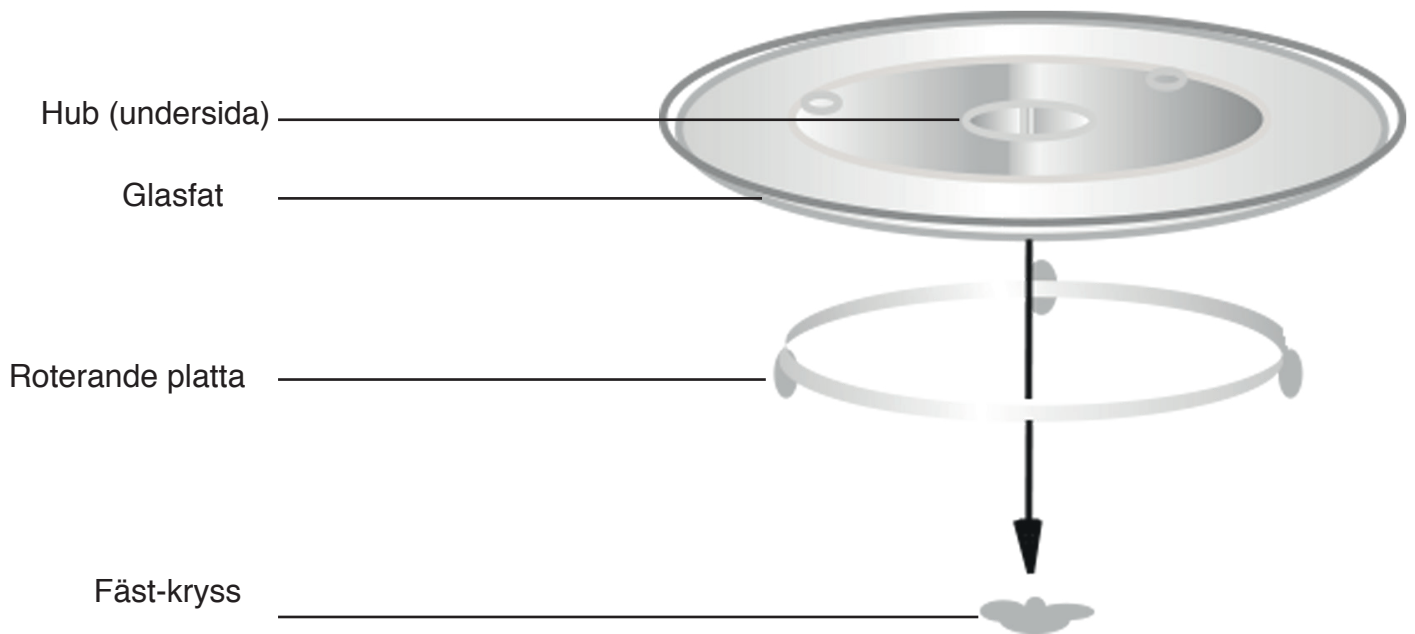
Glasbakke	1 stk.
Drejeskivemontage	1 stk.
Instruktionsmanual	1 stk.

- A) Kontrolpanel
- B) Drejeskiveskaft
- C) Drejeskivemontage
- D) Glasbakke
- E) Observationsvindue
- F) Dørsamling
- G) Sikkerhedsafslåsningssystem



### Installation af drejeskive

- a) Placér aldrig glasbakken på hovedet. Glasbakken bør aldrig begrænses.
- b) Både glasbakken og drejeskiven skal altid bruges under brug.
- c) Al mad og alle beholdere placeres altid på glasbakken før madlavning.
- d) Hvis glasbakken eller ringsystemet sprækker eller går i stykker, skal det nærmeste service center kontaktes.



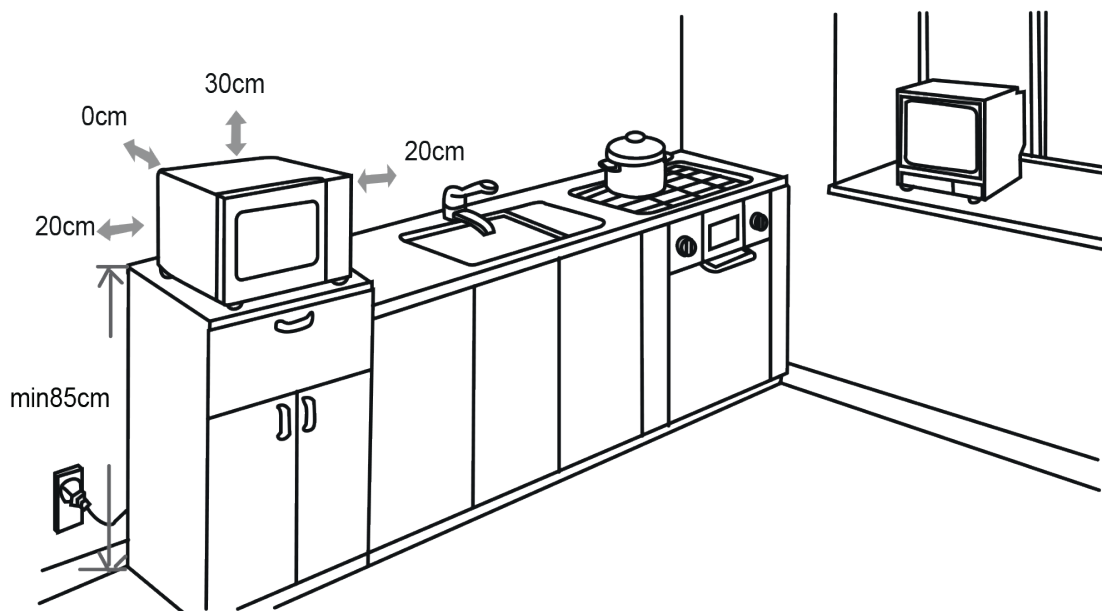
## Installation på køkkenbord

- Fjern alle former for indpakningsmateriale samt tilbehør. Efterse ovnen for skader som eksempelvis buler eller en ødelagt dør. Tag ikke ovnen i brug, hvis den er beskadiget.
- Montre: Fjern al beskyttelsesfilm på overfladen i mikrobølgeovnen. Fjern ikke det lysebrune Mica cover, der er fastgjort inde i ovnen til beskyttelse af magnetronen.

DA

### Installation

- a) Vælg en jævn overflade, der giver et stort nok rum til indsugningsåbningen og/eller udsugningen.
  - b) Minimumsinstallationshøjden er 85 cm.
  - c) Enhedens bagside placeres ind mod en væg. Hav et 30 cm frirum over ovnen. Et minimums frirum på 20 cm er påkrævet mellem ovnen og de tilstødende vægge.
  - d) Fjern ikke fødderne fra bunden af ovnen.
  - e) Blokering af indsugningen og/eller udsugningen kan skade ovnen.
  - f) Placér ovnen så langt væk fra radioer og fjernsyn som muligt. Brug af mikrobølgeovnen kan forårsage interferens på tv- eller radiomodtagelsen.
2. Slut ovnen til et standard husholdningsstik. Vær sikker på, at spændingen og frekvensen er den samme som spændingen og frekvensen på produktlabelen.

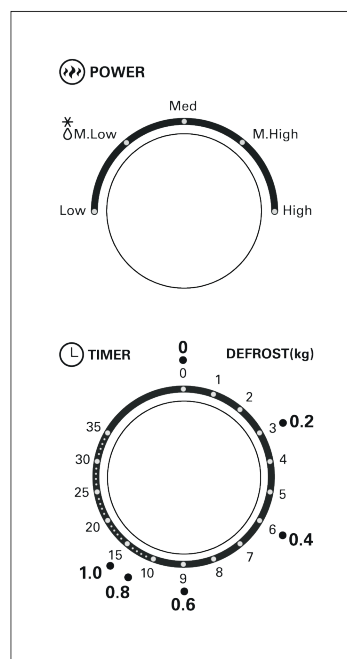


**ADVARSEL:** Installér ikke ovnen oven over et komfur eller andre varmeafgivende apparater. Såfremt den installeres over en varmekilde, kan ovnen tage skade, og garantien ugyldiggøres.

**Den tilgængelige overflade kan blive varm under brug.**

### Brugsvejledning

1. Indstil den ønskede energi ved at dreje på knappen.
2. Indstil bagetiden ved at dreje på timeren til det ønskede niveau i forhold til madlavningsguiden.
3. Mikrobølgeovnen starter automatisk efter indstilling af kraft og tid.
4. Når tiden er udløbet, afgiver enheden en lyd.
5. Hvis enheden ikke er i brug, sættes tiden altid til "0."
6. Den ydre skala er til afrimning efter vægt i kg. Der er 5 muligheder, fra 0.2-1.0 kg.



Funktion/Styrke	Output	Anvendelse
Low	17% mikro	Blødgør is
Med. Low (Defrost)	33% mikro	Suppe, gryderet, blødgør smør eller tøj
Med.	55% mikro	Gryderet, fisk
Med. High	77% mikro	Ris, fisk, kylling, hakket kød
High	100% mikro	Genopvarm, mælk, kog vand, tilbered grøntsager og drikkevarer

**Bemærk:** Når der fjernes mad fra ovnen, så vær sikker på, at ovnen er slukket ved at dreje timerknappen over på 0 (nul). Gøres dette ikke, og opererer mikrobølgeovnen uden mad indeni, kan det føre til overophedning, og magnetronen kan tage skade.

### Fejlsøgning

#### Normal:

Mikrobølgeovnen forstyrrer tv-modtagelsen	Radio- og tv-modtagelsen kan forstyrres, når mikrobølgeovnen er i brug. Det er det samme, der sker med interferens fra små elektriske enheder som mixere, støvsugere og ventilatorer. Dette er helt normalt.
Svagt lys i ovnen	Ved brug af ovnen ved lav kraft, kan lyset i ovnen være svagt. Dette er helt normalt.
Damp samles på døren, varm luft slipper ud af udluftningen	Ved madlavning kan der slippe damp ud af madvarer. Det meste slipper ud af udluftningen, men noget af det kan samle sig på køligere steder som f.eks. på døren. Dette er helt normalt.
Ovnen tænder utilsigtet uden mad indeni	Det er forbudt at benytte ovnen uden mad indeni. Dette kan være meget farligt.



Problem	Mulige årsager	Løsning
Ovnen kan ikke startes	1) Ledningen sidder ikke ordentligt i stikkontakten. 2) Sikringen springer, eller afbryderen virker. 3) Der er et problem med stikkontakten.	1) Tag stikket ud og indsæt det igen efter 10 sekunder. 2) Erstat sikring eller stil afbryderen tilbage (repareres kun af autoriserede servicemedarbejdere). 3) Test stikket med andre elektriske apparater.
Ovnen varmer ikke	Døren er ikke lukket korrekt.	Luk døren tilstrækkeligt.

## Specifikationer

Model:	CHMW012/CHMW011
Spænding:	230V~ 50Hz
Inputeffekt (mikrobølgeovn):	1050W
Outputeffekt (mikrobølgeovn):	700 W
Ovnkapacitet:	20 L
Drejeskivediameter:	255 mm
Eksterne mål:	440 x 359 x 259 mm
Vægt:	10,23 kg

## Garanti

Champion Nordic garanterer at dette produkt ikke har nogen fremstillingsfejl i forhold til materiale og forarbejdning. Garantien gælder i to år i Sverige, Norge, Danmark og Finland. Garantien begynder fra den dag hvor produktet købes eller leveres. Champion Nordic er ikke forpligtet til at reparere eller erstatte produkter som ikke er ledsaget af et gyldigt købsbevis. Denne garanti gælder kun for produkter som er købt og brugt derhjemme, og den omfatter ikke skader som er opstået som følge af misbrug, manglende opmærksomhed på Champion Nordics instruktioner, modifikationer, ikke-godkendte reparationer, forkert indpakning fra ejerens side, normal slitage eller fejlhåndtering hos et transportfirma.

### Korrekt affaldshåndtering

Dette symbol på produktet eller i instruktionerne betyder at det skal smides ud separat fra andet husaffald, når det ikke fungerer længere. I EU findes separate genbrugssystemer for affald. Kontakt de lokale myndigheder eller din sælger for mere information.



 **CHAMPION**

Champion®  
Makadamgatan 14 | 254 64 Helsingborg | Sweden  
info@champion.se



- Ikke prøv å bruke ovnen med døren åpen da dette kan resultere i skadelig eksponering for mikrobølgeenergi. Det er viktig å ikke ødelegge eller tukle med sikkerhetslåsene.
- Ikke plasser gjenstander mellom ovnens forside og døren, eller la søl eller rester av rengjøringsmidler samle seg opp på forseglingsflatene

**ADVARSEL:** Hvis døren eller dørforseglingene er skadet, må ikke ovnen brukes før den har vært reparert av et kompetent serviceverksted.

### TILLEGG

Hvis apparatet ikke vedlikeholdes i ren tilstand, kan overflaten bli degradert og påvirke levetid på apparatet og føre til en farlig situasjon.

### TA VARE PÅ DISSE INSTRUKSJONER FOR FREMTIDIG BRUK

#### VIKTIGE SIKKERHETSREGLER

For å redusere risikoen for brann, elektrisk støt, personskader eller eksponering for skadelige mengder mikrobølgeenergi når du bruker dette apparatet, må du følge grunnleggende forholdsregler, inkludert følgende:

**ADVARSEL:** Væsker og andre matvarer må ikke varmes opp i forseglede beholdere ettersom de kan eksplodere.

**ADVARSEL:** Det er farlig for alle andre enn en kompetent person å utføre service eller reparasjoner som innebærer fjerning av dekslet som beskytter mot mikrobølgeenergi.

1. Dette apparatet kan brukes av barn fra 8 år og oppover og personer med reduserte fysiske, sensoriske eller mentale evner eller manglende erfaring og kunnskap, hvis de har fått tilsyn eller instruksjoner i bruken av apparatet på en sikker måte og forstår farene involvert. Barn skal ikke leke med apparatet. Rengjøring og vedlikehold skal ikke gjøres av barn med mindre de er eldre enn 8 og under tilsyn.
2. Hold apparatet og ledningen utilgjengelig for barn under 8 år.
3. Bruk kun utstyr som er egnet for bruk i mikrobølgeovn.
4. Ovnens må rengjøres regelmessig og eventuelle matrester bør fjernes.
5. Når du varmer opp mat i plast- eller papirbeholdere, må du holde øye med ovnen på grunn av faren for antenning.
6. Hvis røyk kommer ut, slå av eller koble fra apparatet og hold døren lukket for å kvele eventuelle flammer.
7. Ikke overkok mat.
8. Ikke bruk ovnsrommet til lagringsformål.
9. Ikke lagre elementer, som for eksempel brød, kjeks, etc., inni ovnen.
10. Fjern lukkemekanismer av metall og metallhåndtak fra papir- eller plastbeholdere/-poser før du legger dem i ovnen.
11. Installer og plasser denne ovnen kun i henhold til vedlagt installasjonsveiledning.
12. Egg i skall og hele hardkokte egg bør ikke varmes opp i mikrobølgeovn fordi de kan eksplodere, selv etter at oppvarmingen i mikrobølgeovnen er avsluttet.
13. Dette apparatet er beregnet for bruk i husholdninger og lignende bruksområder som:
  - Personalkjøkkenområder i butikker, kontorer og andre arbeidsmiljøer;
  - av klienter i hoteller, moteller og andre boligmiljøer;
  - ”bed and breakfast”-miljøer.
14. Hvis strømledningen er skadet, må den erstattes av produsenten, dennes serviceverksted eller tilsvarende kvalifisert personell for å unngå fare.

15. Ikke oppbevar eller bruk dette apparatet utendørs.
16. Ikke bruk denne ovnen i nærheten av vann, i en fuktig kjeller eller nær et svømmebasseng.
17. Temperaturen på tilgjengelige flater kan være høy når apparatet er i drift. Overflatene er tilbøyelig til å bli varme under bruk. Hold ledningen unna den oppvarmede overflaten, og dekk ikke ventilene på ovnen til.
18. Ikke la ledningen henge over kanten på bordet eller benken.
19. Hvis man ikke holder ovnen ren kan dette føre til forringelse av overflaten, som kan ha negativ innvirkning på apparatets levetid og muligens føre til en farlig situasjon.
20. Innholdet i tåteflasker og glass med barnemat må røres om eller ristes i og temperaturen må kontrolleres før fortæring, dette for å unngå brannskader.
21. Mikro-oppvarming av drikkevarer kan føre til forsinket eksplosjonsartet koking, derfor må man være forsiktig når man håndterer beholderen.
22. Apparatet er ikke beregnet for bruk av personer (inkludert barn) med reduserte fysiske, sensoriske eller mentale evner, eller mangel på erfaring og kunnskap, med mindre de har fått tilsyn eller instruksjoner i bruk av apparatet av en person som er ansvarlig for deres sikkerhet.
23. Barn bør være under tilsyn for å sikre at de ikke leker med apparatet.
24. Apparatene er ikke ment å bli operert ved hjelp av et eksternt tidsur eller separat fjernkontrollsystem.
25. Tilgjengelige deler kan bli varme under drift. Små barn bør holdes borte under drift.
26. Damprengjøring skal ikke brukes.
27. Under bruk blir apparatet varmt. Forsiktighet bør utvises for å unngå å berøre varmeelementene inni ovnen.

**Advarsel:** Apparatet og dets tilgjengelige deler blir varme under bruk. Forsiktighet bør utvises for å unngå å berøre varmeelementene. Barn under 8 år skal holdes unna med mindre de er kontinuerlig under tilsyn.

28. Den bakre overflaten til apparatet skal plasseres mot en vegg.
29. Mikrobølgeovnen må ikke plasseres i et skap.
30. Mikrobølgeovnen er beregnet for oppvarming av mat og drikke. Tørking av mat eller klær og oppvarming av varmeputer, tøfler, svamper, fuktige kluter og lignende kan føre til risiko for skade og antenning eller brann.

#### **FARE: Fare for elektrisk støt.**

Berøring av de interne komponentene kan føre til alvorlig personskade eller død. Ikke demonter dette apparatet.

#### **ADVARSEL: Fare for elektrisk støt**

Feil bruk av jordingen kan føre til elektrisk støt. Ikke koble til et strømuttak før apparatet er riktig installert og jordet. Dette apparatet må jordes. I tilfelle av en elektrisk kortslutning, reduserer jording faren for elektrisk støt ved å tilveiebringe en fluktledning for den elektriske strømmen. Dette apparatet er utstyrt med en ledning med en jording og et jordingsstøpsel. Støpselet må kobles til en stikkontakt som er riktig installert og jordet. Ta kontakt med en kvalifisert elektriker eller serviceperson dersom jordingsinstruksjonene ikke er helt forstått, eller hvis det foreligger tvil om hvorvidt apparatet er riktig jordet. Hvis det er nødvendig å bruke en skjøteledning, bruk kun en skjøteledning med 3 ledere (3-veis).

1. En kort strømledning inngår for å redusere risikoen som følge av å bli viklet inn i eller snuble over en lengre ledning.
2. Hvis en lang ledning eller skjøteledning blir brukt, merk at:
  - den merkede elektriske kapasiteten til ledningen eller skjøteledningen bør være minst like høy som apparatets strømforbruk.
  - skjøteledningen må være en 3-leder av jordet type.
  - den lange ledningen må legges slik at den ikke blir hengende over benkeplaten eller på bordet der den kan trekkes i av barn eller snubles over utilsiktet.

## RENGJØRING

Sørg for å koble apparatet fra strømforsyningen.

1. Rengjør ovnens hulrom etter bruk med en litt fuktig klut.
2. Rengjør tilbehøret i såpevann.
3. Dørkarmen, forseglingen og deler ved siden av rengjøres forsiktig med en fuktig klut når de er skitne
4. Ikke bruk sterke skuremidler eller skarpe metallskrapere til rengjøring av glasset i ovnsdøren da de kan ripe opp overflaten, noe som kan føre til at glasset sprekker.
5. Rengjøringstips: For enklere rengjøring av veggene i ovnen som maten under tilberedning kan berøre: Sett en halv sitron i en bolle, tilsett 300 ml vann og varm på 100% mikrobølgeeffekt i 10 minutter. Tørk ovnen ren med en myk, tørr klut.

## UTSTYR

### FORSIKTIG: Personskadefare

Det er farlig for alle andre enn en kompetent person å utføre service eller reparasjoner som innebærer fjerning av deksel som beskytter mot eksponering for mikrobølgeenergi.

Se instruksjonene under "materialer du kan bruke i mikrobølgeovnen eller som må unngås i mikrobølgeovnen." Det kan være enkelte ikke-metalliske beholdere som ikke er trygge å bruke i mikrobølgeovnen. Er du i tvil, kan du teste utstyret det er snakk om ved å følge prosedyren nedenfor.

Utstyrstest:

1. Fyll en mikrobølgesikker beholder med 1 kopp med kaldt vann (250 ml) og sett i mikrobølgeovnen sammen med beholderen du vil teste.
2. Kok på maksimal effekt i 1 minutt.
3. Kjenn forsiktig på den tomme beholderen. Hvis den er varm, må du ikke bruke den i mikrobølgeovn.
4. Ikke overstig 1 minutt koketid.

## Materialer du kan bruke i mikrobølgeovnen

Utstyr	Merknader
Bruningsfat	Følg produsentens anvisninger. Bunnen av bruningsfatet må være minst 3/16 tommer (5 mm) over dreieskiven. Feil bruk kan føre til at dreieskiven går i stykker.
Servise	Kun mikrobølgesikkert. Følg produsentens anvisninger. Ikke bruk sprukket eller ødelagt servise.
Glasskrukker	Ta alltid av lokket. Bruk kun til å varme mat til den er akkurat varm. De fleste glasskrukker er ikke varmebestandige og kan knuses
Glasstøy	Kun varmebestandig ovnsglass. Pass på at det ikke er en metallkant på glasset. Ikke bruk sprukket eller ødelagt servise.
Stekeposer til ovn	Følg produsentens anvisninger. Ikke lukk med metallbånd. Lag snitt i posen for å tillate damp å komme ut.
Papptallerkener og pappkopper	Bruk kun til rask koking/oppvarming. Ikke la ovnen stå uten tilsyn under matlaging.

Tørkepapir	Brukes til å dekke mat til gjenoppvarming og absorbere fett. Bruk kun for kortidskoking under tilsyn.
Bakepapir	Bruk som dekke for å hindre sprut eller som innpakning for damping.
Plast	Kun mikrobølgesikker. Følg produsentens instruksjoner. Bør være merket "Microwave Safe" (Mikrobølgesikker). Noen plastbeholdere blir myke når maten inni blir varm. "Kokeposer" og tett lukkede plastposer burde snittes, stikkes hull i eller ventileres som anvist på pakningen.
Plastfilm	Kun mikrobølgesikker. Brukes til å dekke maten under oppvarming for å holde på fuktigheten. Ikke la plastfolie berøre maten.
Termometre	Kun mikrobølgesikre kjøtt- og sukkertermometre.
Vokspapir	Bruk som dekke for å hindre sprut og holde på fuktighet.

NO

### Materialer som må unngås i mikrobølgeovnen

Utstyr	Merknader
Aluminiumsbrett	Kan føre til lysbuer. Overfør mat til mikrobølgesikkert servise.
Matkartong med metallhåndtak	Kan føre til lysbuer. Overfør mat til mikrobølgesikkert servise.
Metall eller metallholdig utstyr	Metall beskytter maten mot mikrobølgeenergi. Metall kan forårsake lysbuer.
Metalltråder/-lukkere	Kan forårsake lysbuer og kan forårsake brann i ovnen.
Papirposer	Kan forårsake brann i ovnen.
Plastskum	Plastskum kan smelte eller forurense væsken inni når den utsettes for høy temperatur.
Tre	Tre vil tørke ut når det brukes i mikrobølgeovnen og kan sprekke.

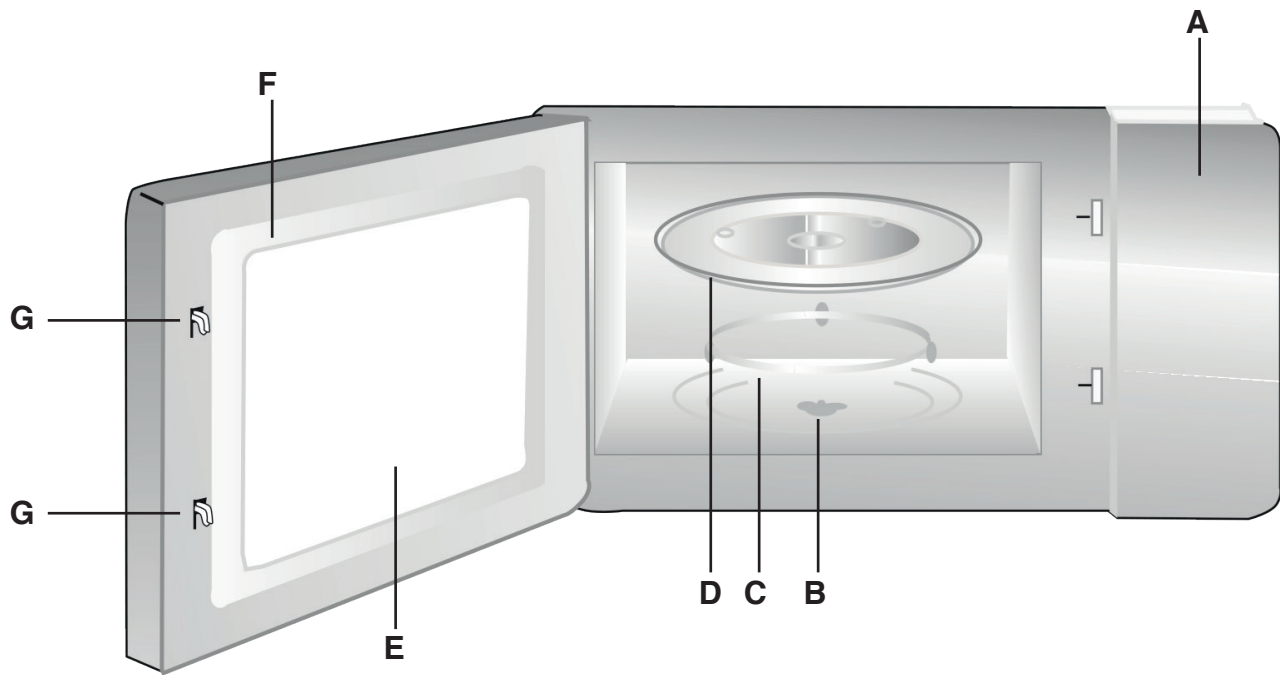
### SETT OVNEN I GANG

**Ta ovnen og alt materiale ut fra esken og ovensrommet.**

Ovnen leveres med følgende tilbehør:

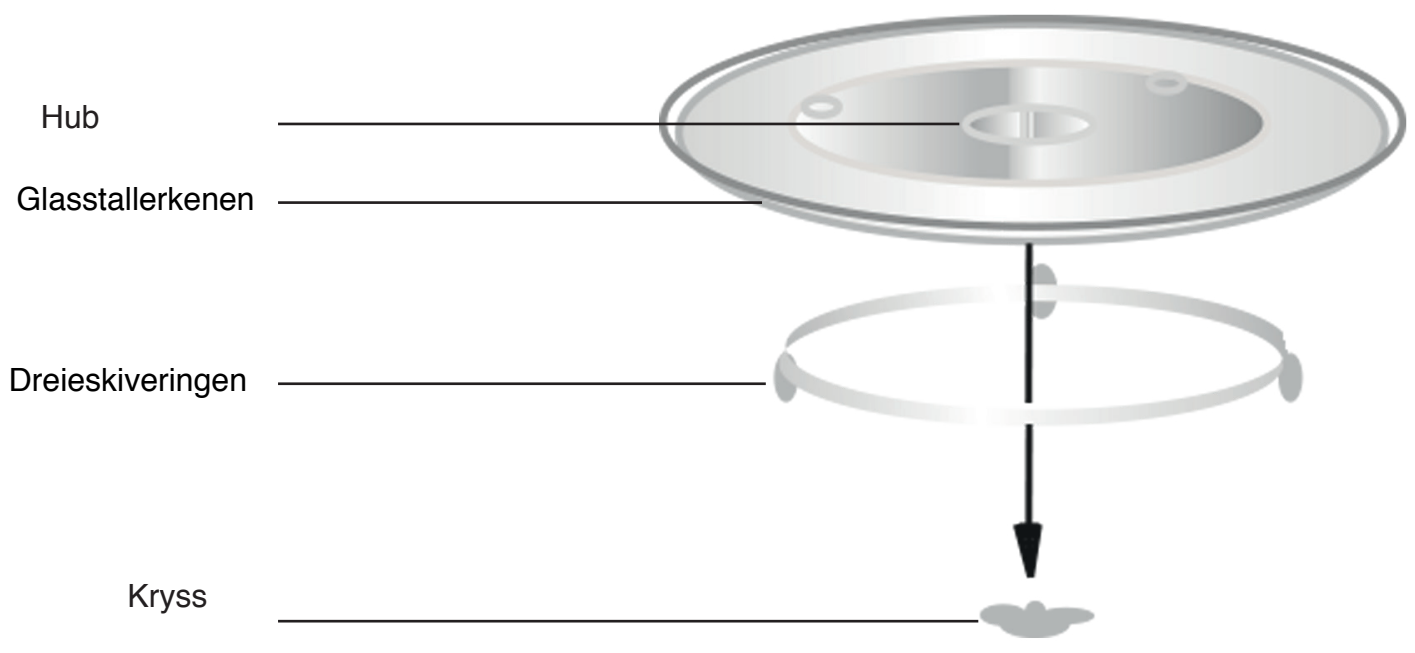
Glasstallerken (fat)	1 stk.
Dreieskivering	1 stk.
Bruksanvisning	1 stk.

- A) Kontrollpanel
- B) Dreieskiveaksel
- C) Dreieskivering
- D) Glasstallerken (fat)
- E) Observasjonsvindu
- F) Dørramme
- G) Sikkerhetssperresystem



### Installasjon av dreieskive

- a) Ikke plasser glasstallerkenen opp-ned. Glasstallerkenen skal aldri være begrenset.
- b) Både glasstallerkenen og dreieskiveringen skal alltid brukes under matlaging.
- c) All mat og matbeholdere plasseres alltid på glasstallerkenen for matlaging.
- d) Hvis glasstallerkenen eller dreieskiveringen skades eller knuses, skal du kontakte ditt nærmeste autoriserte servicesenter.



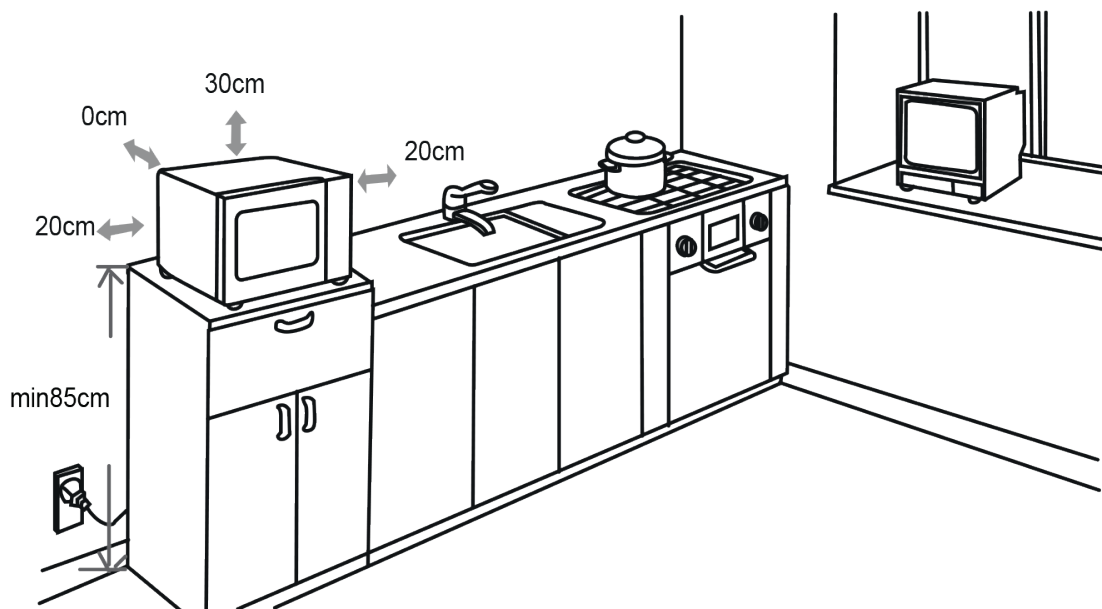
## Installasjon på benkeplate

- Fjern all emballasje og tilbehør. Undersøk ovnen for eventuelle skader som bulker eller ødelagt dør. Ikke installer hvis ovnen er skadet.
- Kabinett: Fjern all beskyttelsesfilmen på mikrobølgeovnens overflate. Ikke fjern det lysebrune dekkelet som er festet til ovnsrommet for å beskytte magnetronen (elektronrøret).

NO

### Installasjon

- a) Velg en plan overflate som gir nok åpen plass for inntaks- og/eller uttaksventiler.
- b) Laveste monteringshøyde er 85cm.
- c) Den bakre overflaten av apparatet skal plasseres mot en vegg. La en klaring på minst 30 cm være over ovnen, er en klaring på minst 20 cm kreves mellom ovnen og eventuelle vegger ved siden av.
- d) Ikke fjern bena fra bunnen av ovnen.
- e) Blokkering av inntak- og/eller uttaksåpningene kan skade ovnen.
- f) Sett ovnen så langt borte fra radioer og TV-er som mulig. Drift av mikrobølgeovnen kan forårsake forstyrrelser på radio- eller TV-signaler.
- g) Plugg inn støpselet i en vanlig stikkontakt. Forsikre deg om at spenningen og frekvensen er den samme som spenningen og frekvensen på typeskiltet.



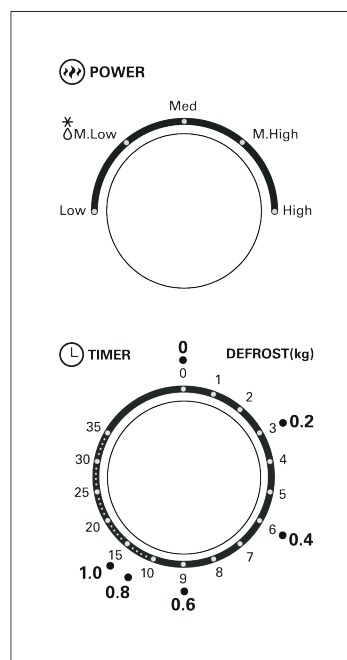
**ADVARSEL:** Ikke installer ovnen over en kokeplate eller andre varmeproduerende apparater. Hvis installert nær eller over en varmekilde, kan ovnen bli skadet og garantien vil ikke gjelde.

**Den tilgjengelige overflaten kan være varm under bruk.**

## Kontrollpanel og funksjoner

### Driftsinstrukser

1. Still inn ønsket kokestyrke ved å vri på styrkeknappen til ønsket nivå.
2. Still inn koketiden ved å vri timeren til ønsket tid angitt i oppskrift.
3. Mikrobølgeovnen vil automatisk begynne å varme etter at styrke og tid er satt.
4. Når varmetiden er over, vil enheten "plinge" for så å stoppe.
5. Hvis enheten ikke er i bruk, sett alltid tid til "0".
6. Den ytre skalaen er for avriming etter vekt i kg. Det er 5 alternativer, fra 0.2-1.0 kg.



Funksjon/Styrke	Utgang	Applikasjon/Bruksområde
Low	17% mikro	Mykgjør iskrem
Med. Low (Defrost)	33% mikro	Suppestuing, mykgjøre smør eller tine
Med.	55% mikro	Stuing, fisk
Med. High	77% mikro	Ris, fisk, kylling, kjøttdeig
High	100% mikro	Gjenoppvarming, melk, koke vann, grønnsaker, drikke

**Merknad:** Når du tar mat ut av ovnen, må du sørge for at ovnen slås av ved å slå tidsbryteren til 0 (null). Unnlater man å gjøre det, og bruk av mikrobølgeovnen fortsetter uten mat i den, kan det føre til overoppheting og skade på magnetronen.

### Feilsøking

#### Normalt:

Mikrobølgeovn er i konflikt med TV-mottak	Radio- og TV-mottak kan forstyrres når mikrobølgeovnen er i drift. Det ligner på forstyrrelser av små elektriske apparater som mikser, støvsuger og elektrisk vifte. Det er normalt.
Dimmet ovnslyset	Ved lav styrke i mikrobølgeovnen, kan ovnslyset bli dimmet. Det er normalt.
Damp samler seg på døren, varm luft kommer ut fra ventiler	Under matlaging kan damp komme ut av maten. Det meste vil komme ut gjennom ventiler, men noe vil samle seg på kjøligere steder som ovnsdøren. Det er normalt.
Ovnen starter uten mat i ved et uhell	Det er forbudt å kjøre enheten uten mat inni. Dette kan være svært farlig.



Problem	Mulig årsak	Hjelp
Ovnen starter ikke	1) Strømledningen er ikke satt i tett. 2) Sikring har gått eller effektbryteren fungerer ikke. 3) Problemer med strømuttak	1) Trekk ut, og koble til igjen etter 10 sekunder. 2) Skift ut sikringen eller tilbakestill effektbryteren (reparasjon utelukkende av autorisert servicepersonale). 3) Test uttaket med andre elektriske apparater.
Ovnen blir ikke varm.	Døren er ikke lukket godt.	Lukk døren godt

## Spesifikasjoner

Modell:	CHMW012/CHMW011
Strømtilkobling:	230V~ 50Hz
Strømforbruk: (mikrobølge)	1050W
Maksimal effekt: (mikrobølge)	700 W
Ovnens kapasitet:	20 L
Dreieskivens diameter:	255 mm
Utvendige mål:	440 x 359 x 259 mm
Netto vekt:	10,23 kg

## Garanti

Champion Nordic garanterer at dette produktet er fri for fabrikkasjonsfeil når det kommer til materialer og håndverk under 2 år i Sverige, Norge, Danmark og Finland. Garantien starter å løpe den dagen produktet kjøpes eller leveres. Champion Nordic har ikke plikt til å reparere eller erstatte produkter dersom et gyldig innkjøpsbevis ikke følger med. Denne garantien gjelder kun for produkter som kjøpes og brukes til hjemmebruk, og omfatter ikke skader som oppstår som følge av misbruk, svikt i å følge Champion Nordics instruksjoner på grunn av at produktet har blitt modifisert eller utsatt for en godkjent reparasjon, feilaktig pakking av eieren, normal slitasje eller feilhåndtering av et transportforetak.

### Korrekt avfallshåndtering

Dette symbolet på produktet eller i instruksjonene betyr at det skal kastes separat fra annet husholdningsavfall når det ikke virker lenger. Det finnes leveringspunkter og gjenbrugsstasjoner som skal håndtere denne typen avfall. Kontakt lokale myndigheter eller forhandler for mer informasjon.



 **CHAMPION**

Champion®  
Makadamgatan 14 | 254 64 Helsingborg | Sweden  
info@champion.se



## VAROTOIMET LIALLISEN MIKROAALTOSÄTEILYN VÄLTÄMISEKSI

- Älä yritä käyttää mikroaaltouunia ovi auki, tämä saattaa johtaa haitalliseen altistukseen mikroaaltoenergialle. On tärkeää, että mikroaaltouunin sisäisiä turvalukkoja ei rikota tai muokata.
- Älä aseta mitään mikroaaltouunin ja oven väliin, ja varmista, ettei tiivisteiden ympärille kerääny likaa tai ruokajäämiä.

**VAROITUS:** Jos ovi tai oven tiivisteet ovat vahingoittuneet, mikroaaltouunia ei saa käyttää kunnes pätevä huoltohenkilö on korjannut uunin.

### LISÄYS

Jos laitteen puhtaudesta ei huolehdi, sen pintamateriaalit saattavat kärsiä, mikä lyhentää uunin käyttöikää ja voi johtaa vaaratilanteeseen.

## SÄÄSTÄ NÄMÄ OHJEET TULEVAISUUDEN VARALLE

### TÄRKEITÄ TURVAOHJEITA

Vähentääksesi tulipalon, sähköiskun, loukkaantumisen tai liialliselle mikroaaltoenergialle altistumisen riskiä, seuraa näitä varotoimia käyttäessäsi mikroaaltouunia:

**Varoitus:** Nesteitä tai ruokia ei tule kuumentaa suljetuissa astioissa, sillä tämä saattaa aiheuttaa räjähdysten.

**Varoitus:** On vaarallista antaa muun kuin pätevän huoltohenkilön korjata tai huoltaa uunia, jos toimenpiteisiin kuuluu mikroaalloilta suojaavan kuoren poistaminen.

1. Tätä laitetta voi käyttää yli 8-vuotiaat lapset, henkilöt joilla ei ole aikaisempaa kokemusta laitteen käytöstä, sekä henkilöt, joilla on madaltunut fyysinen tai psyykinen valmius, jos laitteen käyttäjälle on annettu selkeät ohjeet käytöstä, tietoa mahdollisista vaaroista, ja käyttö tapahtuu valvotusti. Lasten ei tule leikkiä laitteella. Alle 8-vuotiaat lapset eivät saa pestä tai puhdistaa laitetta ilman aikuisen valvontaa.
2. Pidä laite ja sen johto alle 8-vuotiaiden lasten ulottumattomissa.
3. Käytä vain mikrokäyttöön soveltuvia keittovälineitä.
4. Puhdista uuni säännöllisesti ja irrota ruuan jämät.
5. Kun kuumennat ruokaa muovisessa tai paperisessa astiassa, vahdi uunia mahdollisen syttymisriskin varalta.
6. Jos uunissa muodostuu savua, kytke uuni pois päältä tai ota sen johto irti, ja pidä ovi kiinni tukahduttaaksesi mahdolliset liekit.
7. Älä ylikypsennä ruokaa.
8. Älä käytä uunin sisäosaa ruuan tai tavaroiden varastointiin.
9. Älä säilytä ruoka-aineita, kuten leipää tai keksejä, uunin sisällä.
10. Poista metalliset kierresulkimet ja muut metalliset osat paperisista ja muovisista rasioista/pusseista ennen kuin laitat ne uuniin.
11. Asenna ja sijoita tämä laite vain ohjeiden mukaisesti.
12. Kuorellisia kananmunia tai kokonaisia, kovaksi keitettyjä kananmunia ei saa lämmittää mikroaaltouunissa, sillä ne saattavat räjähtää myös mikroaaltolämmittämisen jälkeen.
13. Tämä laite on tarkoitettu käytettäväksi kotitalouksissa ja vastaavissa paikoissa, kuten:
  - työntekijöiden keittiötiloissa kaupoissa, toimistoissa ja muissa ympäristöissä;
  - asiakkaiden toimesta hotelleissa, motelleissa ja muissa majoitustiloissa;
  - ”Bed and Breakfast” -tyyppisissä ympäristöissä.
14. Jos virtajohto on vahingoittunut, se tulee vaihtaa valmistajan, valtuutetun huollon tai vastavan pätevän henkilön toimesta vaaran välttämiseksi.

15. Älä käytä tätä uunia veden lähellä, kosteassa ympäristössä tai uima-altaan lähetyillä.
16. Ulkopinnat saattavat kuumentua todella kuumiksi laitteen ollessa käytössä. Pidä johto pois kuumilta pinnoilta, äläkä tuki uunin venttiilejä.
17. Älä anna johdon roikkua pöydän tai työtason reunan yli.
18. Jos uunin siisteydestä ei pidetä huolta, uunin pinnat saattavat kärsiä, mikä voi vaikuttaa negatiivisesti laitteen käyttöikään ja johtaa vaaratilanteisiin.
19. Tuttipullojen tai vauvanruokapurkkien sisältö tulee sekoittaa huolellisesti ja lämpötila tarkistaa ennen ruuan antamista lapselle. Näin varmistat, ettei ruoka tai juoma ole liian kuumaa ja aiheuta palovammoja.
20. Nesteen kuumentaminen mikroaaltouunissa saattaa johtaa viivästyneeseen, räjähdysmäiseen kiehumiseen, joten erityistä varovaisuutta tulee noudattaa käsitellessä astiaa, jossa on kuumaa nestettä.
21. Tätä laitetta ei ole tarkoitettu käytettäväksi henkilöiden (mukaan lukien lapset) toimesta, joilla on madaltunut fyysinen tai psyykinen toimintakyky, tai ei kokemusta eikä tietoa, kuinka laitetta käytetään, ellei heistä vastuussa oleva henkilö ole valvomassa käyttöä.
22. Lapsia tulee valvoa ja varmistaa, etteivät he leiki mikroaaltouunilla.
23. Laitetta ei ole tarkoitettu käytettäväksi ulkoisen ajastimen tai erillisen kauko-ohjausjärjestelmän kanssa.
24. Ulkopinnat saattavat kuumentua käytön aikana. Pieniä lapsia ei saa päästää mikron lähelle sen ollessa käytössä.
25. Älä käytä höyrypuhdistajaa.
26. Laite saattaa kuumentua käytön aikana. Ole varoivainen, ettet koske kuumeneviin osiin uunin sisäpuolella.

**Varoitus:** Laite ja sen ulkopinnat saattavat kuumentua käytön aikana. Ole varoivainen, ettet koske kuumeneviin osiin. Alle 8-vuotiaat lapset eivät saa olla mikron läheisyydessä ilman jatkuvaa valvontaa.

27. Uunin takaosan tulee olla seinää vasten.
28. Tätä mikroaaltouunia ei saa asettaa kaappiin.
29. Mikroaaltouuni on tarkoitettu ruuan ja juomien kuumentamiseen. Ruokien tai vaatteiden kuivattaminen, tai lämpöpussien, tossujen, sienien, kosteiden vaatteiden tai vastaavien esineiden lämmittäminen saattaa aiheuttaa onnettomuuden tai tulipalon.

### **VAARA: Vakava sähköisku.**

Joihinkin mikroaaltouunin sisäisiin osiin koskettaminen saattaa aiheuttaa vamman tai kuoleman. Älä pura tätä laitetta osiin.

### **VAROITUS: Sähköiskun vaara**

Maadoituksen puuttuminen altistaa sähköiskulle. Älä kytke laitetta verkkovirtaan, jos et ole varma, että laite on asennettu oikein ja maadoitettu. Tämän laitteen tulee olla maadoitettu. Oikosulun tapahtuessa maadoitus vähentää sähköiskun riskiä antamalla sähkövirralle reitin pois. Tämä laitteen mukana tulee maadoitettu johto sekä pistoke. Pistoke tulee yhdistää pistorasiaan, joka on maadoitettu. Konsultoi pätevää sähköasentajaa tai huoltohenkilöä, jos et ymmärrä maadoitusohjeita, tai jos et ole varma maadoituksen onnistumisesta. Jos on tarvittavaa käyttää jatkojohtoa, käytä vain 3-napaisia jatkojohtoa.

1. Uunin mukana tulee lyhyt virtajohto, joka vähentää riskejä, jotka liittyvät pitkään johtoon kompastumiseen sekä johdon solmuun menemiseen.
2. Jos käytät pidempää johtoa tai jatkojohtoa:
  - Johdon tai jatkojohdon sähkömerkintöjen tulee olla vähintään yhtä korkeat kuin itse laitteen.
  - Jatkojohdon tulee olla maadoitettu, 3-napainen johto.
  - Pitkä johto tulee asettaa niin, että se ei roiku työtason tai pöydän reunan yli, mistä lapsi voi vetää sitä tai joku kompastua.

## PUHDISTAMINEN

Varmista, että mikroaaltouuni ei ole kytketty verkkovirtaan.

1. Putsaa mikroaaltouunin sisäpuoli kostealla rätillä.
2. Pese lisätarvikkeet saippuavedessä.
3. Ovenkarmit, tiivisteet ja muut ympäröivät osat tulee puhdistaa huolellisesti kostealla rätillä, jos ne likaantuvat.
4. Älä käytä voimakkaita tai hankaavia puhdistusaineita tai teräviä metallisia välineitä uunin oven lasin puhdistamiseen, sillä ne saattavat naarmuttaa lasipintaa, mikä voi johtaa lasin hajoamiseen.
5. Puhdistusvinkki: Jos uunin sisäpinnoilla on pinttyneitä ruokatahroja: Aseta puolikas sitruuna kulhoon, lisää 300ml vettä ja lämmitä 100% teholla 10 minuutin ajan. Pyyhi uuni puhtaaksi pehmeällä, kuivalla rätillä.

## KEITTOVÄLINEET

### **VAROITUS: Vaara henkilövahingoista**

On vaarallista antaa muun kuin pätevän huoltohenkilön korjata tai huoltaa uunia, jos toimenpiteisiin kuuluu mikroaalloilta suojaavan kuoren poistaminen.

Katso ohjeet osiosta ”Materiaalit, joita voit käyttää mikroaaltouunissa tai joita tulee välttää”. Jotkin ei-metalliset keittovälineet eivät sovellu mikroaaltouunikäyttöön. Jos et ole varma keittovälineen sopivuudesta, voit suorittaa alla olevan testin.

Keittovälinetestit:

1. Täytä mikrouunin kestävä astia 250ml kylmää vettä ja aseta keittoväline astiaan.
2. Kuumenna täydellä teholla 1 minuutin ajan.
3. Kosketa varovasti keittovälinettä. Jos se on lämmin, älä käytä mikroaaltouunissa.
4. Älä ylitä 1 minuutin kuumennusaikaa

## Materiaalit, joita voit käyttää mikroaaltouunissa

Keittoväline	Huomioitavaa
Paistoastiat	Noudata valmistajan ohjeita. Astian pohjan tulee olla vähintään 5mm pyörivän lautasen yläpuolella. Vääränlainen käyttö saattaa johtaa lautasen rikkoutumiseen.
Ruoka-astiat	Vain mikronkestävät. Noudata valmistajan ohjeita. Älä käytä haljenneita tai lohjonneita astioita.
Lasipurkit	Poista kansi. Käytä vain ruuan lämmittämiseen, ei kuumentamiseen. Useimmat lasipurkit eivät kestä korkeita lämpötiloja ja saattavat rikkoutua.
Lasiastiat	Vain lämmön- ja mikronkestävät astiat. Varmista, ettei astiassa ole metallisia osia. Älä käytä haljenneita tai lohjonneita astioita.
Uunipussit	Noudata valmistajan ohjeita. Älä sulje pussia metallisella sulkijalla. Tee pussiin reikiä, jotta kuuma höyry pääsee ulos.
Pahviset lautaset ja mukit	Käytä vain lyhytaikaiseen lämmitykseen. Älä jätä mikroaaltouunia ilman valvontaa käyttäessäsi pahvisia tuotteita.

Taluspaperi	Käytä uudelleen lämmittäessäsi ruokaa sekä imemään rasvaa. Käytä vain lyhytaikaiseen lämmitykseen äläkä jätä uunia ilman valvontaa.
Leivinpaperi	Käytä kantena estääksesi roiskumisen tai kääri ruoka leivinpaperiin höyryttämistä varten.
Muovi	Vain mikron kestävä. Noudata valmistajan ohjeita. Keittovälineessä tulee lukea "Microwave Safe". Jotkin muoviset säilytysrasiat pehmenevät ruuan kuumetessa. Keittopusseihin sekä tiukasti suljettuihin muovipusseihin tulee tehdä reikiä tai viiltoja ohjeiden mukaan.
Muovikääre	Vain mikron kestävä. Käytä ruuan peittämiseen kuumentamisen aikana kuivumisen estämiseksi. Älä anna muovikääreen koskea ruokaan.
Lämpömittarit	Vain mikron kestävät (liha- ja sokerimittarit)
Vahapaperi	Käytä kantena estääksesi roiskeet sekä kuivumisen.

FI

### Materiaalit, joita tulee välttää

Keittoväline	Huomioitavaa
Alumiiniset alustat	Saattaa aiheuttaa kipinöintiä. Siirrä ruoka mikron kestäväseen astiaan.
Ruokapakkaukset metallisella kahvalla	Saattaa aiheuttaa kipinöintiä. Siirrä ruoka mikron kestäväseen astiaan.
Metalliset tai metallia sisältävät astiat	Metalli suojaa ruokaa mikroaaltoenergialta. Metallit saattaa aiheuttaa kipinöintiä
Metalliset sulkimet	Saattaa aiheuttaa kipinöintiä sekä tulipalon uunin sisällä.
Paperipussit	Saattaa aiheuttaa tulipalon uunin sisällä.
Vaahtomuovi	Vaahtomuovi saattaa sulaa ja saastuttaa sisällä olevan nesteen.
Puu	Puu kuivuu mikroaaltouunissa ja saattaa halkeilla tai murtua.

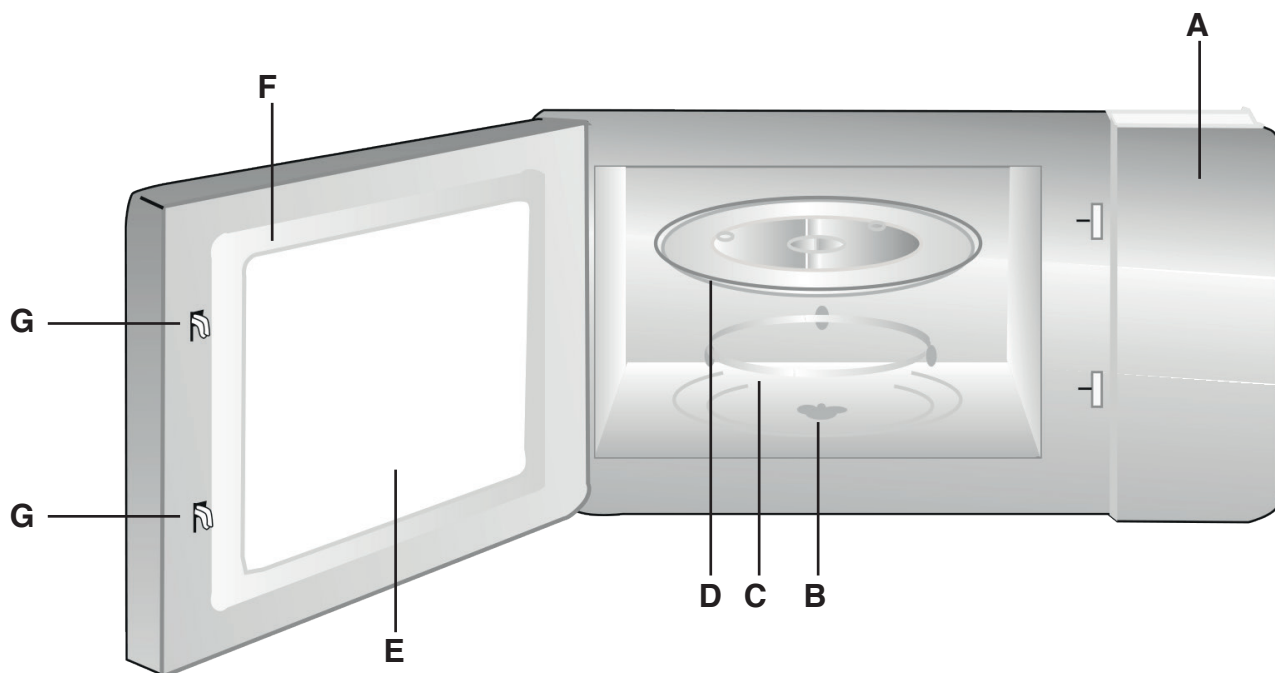
### UUNIN KÄYTTÖNOTTO

Poista mikroaaltouuni pakkauksesta, ja tyhjennä uunin sisäosa pakkausmateriaalista.

Uunin mukana tulee seuraavat lisätarvikkeet:

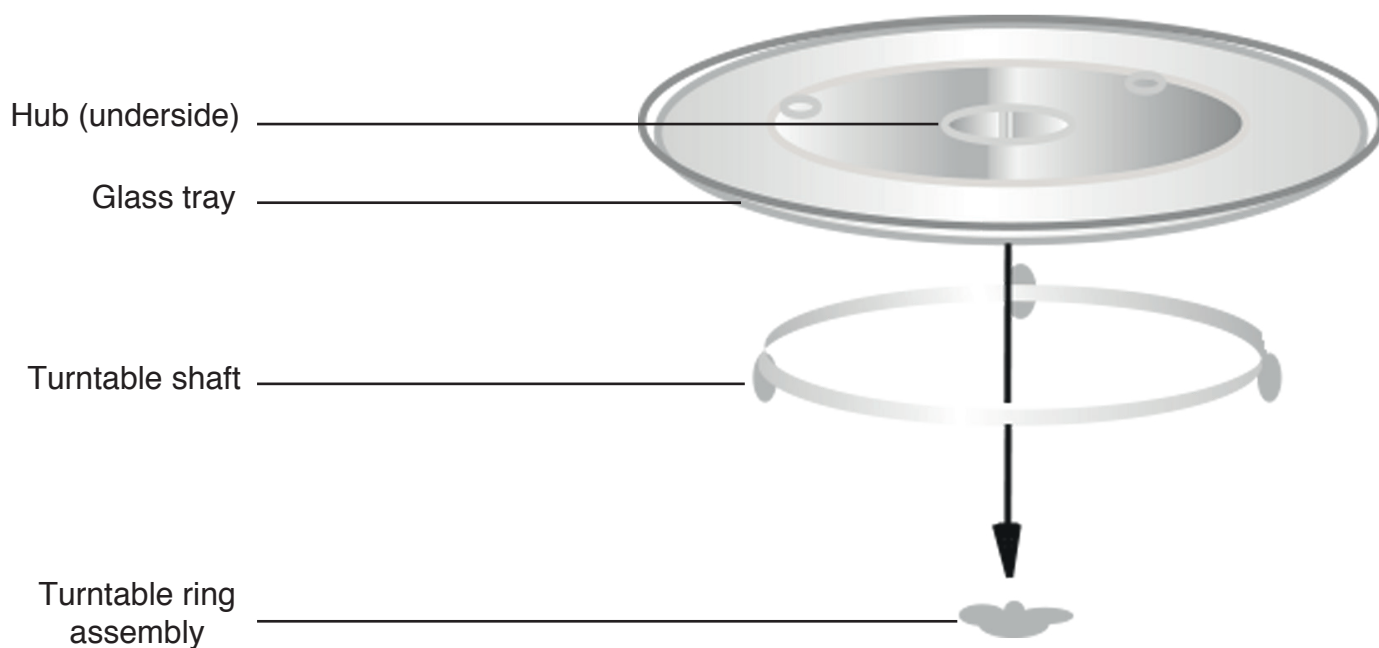
Lasialusta	1 kpl
Pyöröalustan rengas	1 kpl
Käyttöohjeet	1 kpl

- A) Ohjauspaneeli
- B) Pyöröalustan ura
- C) Pyöröalustan rengas
- D) Lasialusta
- E) Ikkuna
- F) Ovi
- G) Sisäinen turvalukko



### Pyöröalustan asentaminen

- Älä koskaan aseta lasialustaa ylösalaisin. Varmista aina, että alusta pääsee pyörimään vapaasti.
- Sekä lasialustaa että pyöröalustan rengasta tulee aina käyttää.
- Kaikki ruoka ja astiat tulee asettaa lasialustan päälle kuumentamista varten.
- Jos lasialusta tai pyöröalustan rengas hajoaa, ota yhteyttä lähimpään valtuutettuun huoltoon.



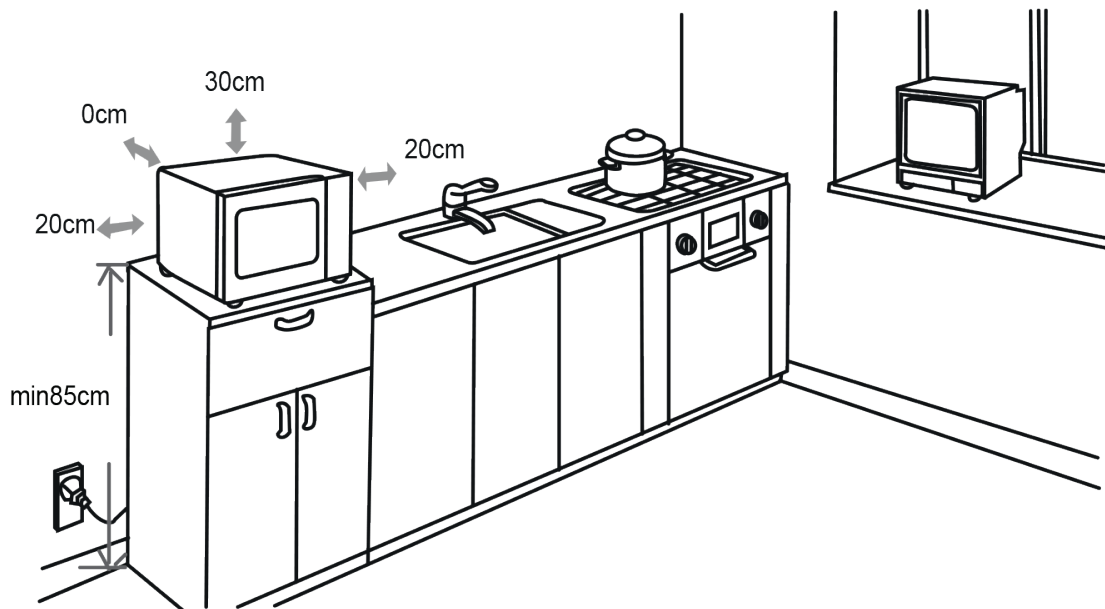
## Asentaminen työtasolle

- Poista kaikki pakkausmateriaali ja lisätarvikkeet. Tarkista, ettei uunissa ole vikoja, esimerkiksi lommoja. Älä asenna mikroaaltouunia, jos se on vahingoittunut.
- Poista kaikki suojakalvo mikroaaltouunin sisältä. Älä poista vaaleanruskeaa mica-suojaa, joka suojaa uunin magneetronia.

FI

### Asentaminen

- Valitse tasainen alusta, jonka ympärillä on tarpeeksi tilaa otto- ja/tai poistoventtiileille.
  - Miniasennuskorkeus on 85cm.
  - Uunin takaosan tulee olla seinää vasten. Uunin yläpuolella tulee olla vähintään 30cm tilaa, ja uunin ja mahdollisten viereisten seinien välissä tulee olla vähintään 20cm tilaa.
  - Otto- ja/tai poistoventtiilien tukkiminen saattaa vahingoittaa uunia.
  - Aseta mikroaaltouuni mahdollisimman kauas radioista ja TV:stä. Uunin käyttö saattaa aiheuttaa häiriötä radiossa sekä TV:ssä.
2. Yhdistä mikroaaltouuni tavalliseen pistorasiaan. Varmista, että jännite ja taajuus ovat samat kuin mikroaaltouunin luokitustaulukossa.



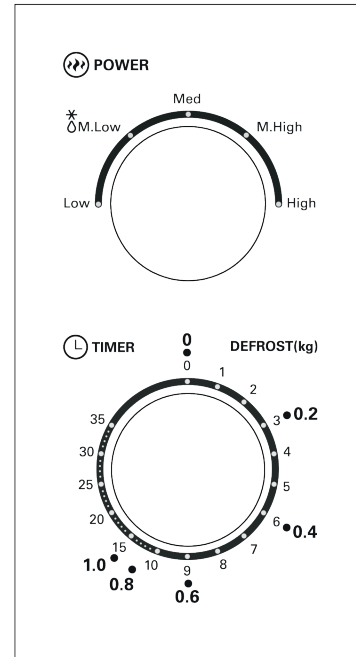
### VAROITUS:

Älä asenna mikroaaltouunia keittolevyn tai muun lämpöä tuottavan laitteen yläpuolelle. Jos uuni asennetaan lämmönlähteen lähelle tai yläpuolelle, uuni saattaa vahingoittua ja takuu raukeaa.

**Mikroaaltouunin ulkopinnat saattavat kuumentua uunin ollessa käytössä.**

### Käyttöohjeet

1. Aseta haluttu teho ("power") kääntämällä säädintä halutulle tasolle.
2. Aseta aika ("time") kääntämällä ajastinsäädintä tarvittavan määrän valmistusohjeen mukaisesti.
3. Mikroaaltouuni käynnistyy automaattisesti, kun sekä teho että aika on asetettu.
4. Kun aika on kulunut loppuun, uuni kilahtaa pysähtymisen merkiksi.
5. Kun uuni ei ole käytössä, aseta aika kohtaan "0".
6. Ulkovaaka on tarkoitettu sulattamiseen painon mukaan kilogrammoina. Vaihtoehtoja on 5, 0.2-1.0 kg.



Toiminto/teho	Teho	Tarkoitus
Low	17% mikro	Jäätelön pehmentäminen
Med. Low (Defrost)	33% mikro	Keitto, voion pehmentäminen, sulattaminen
Med.	55% mikro	Pata, kala
Med. High	77% mikro	Riisi, kala, kana, jauheliha
High	100% mikro	Uudelleenlämmitys, maito, veden keittäminen, vihannekset, juomat

**Huomioi:** Kun otat ruuan pois uunista, varmista, että virta on kytketty pois kääntämällä ajastin asentoon 0 (nolla). Tämän laiminlyöminen ja uunin käyttäminen ilman, että sisällä on ruokaa, saattaa johtaa ylikuumentumiseen ja magneutronin vahingoittumiseen.

### Ongelmanratkaisu

#### Normaalia:

Mikroaaltouuni häiritsee Tv-vastaanotinta	Radio- ja Tv-vastaanottimet saattavat häiriytyä päällä olevasta mikroaaltouunista. Häiriö on samanlaista kuin pienten elektronisten laitteiden kuten mikserien, imureiden ja elektronisten tuulettimien aiheuttama häiriö, ja täysin normaalia.
Uunin valo on himmeä	Jos uunia käytetään matalalla teholla, uunin valo saattaa himmentyä. Tämä on normaalia.
Oveen kerääntyy vesihöyryä, venttiileistä tulee kuumaa ilmaa	Valmistaessa ruokaa saattaa muodostua vesihöyryä. Suurin osa tästä poistuu venttiilien kautta, mutta osa saattaa tiivistyä uunin viileämpiin osiin kuten oveen. Tämä on normaalia.
Uuni menee vahingossa päälle ilman, että sisällä on ruokaa	Uunia ei saa laittaa päälle, jos sisällä ei ole ruokaa. Se voi olla erittäin vaarallista.



Ongelma	Mahdollinen syy	Korjaustoimi
Uuni ei mene päälle	1) Virtajohto ei ole kunnolla kiinni. 2) Sulake on palanut tai automaattikatkaisin on toiminnassa. 3) Pistorasia on viallinen.	1) Irrota virtajohto, odota 10 sekuntia ja kytke takaisin. 2) Vaihda sulake tai nollaa automaattikatkaisin (korjauksen tulee suorittaa valtuutettu huoltoliike). 3) Testaa pistorasian toiminta kytkemällä siihen toinen laite.
Uuni ei lämmitä	Ovi ei ole kunnolla kiinni	Sulje ovi kunnolla

FI

## Tiedot

Malli:	CHMW012/CHMW011
Nimellisjännite:	230V~ 50Hz
Nimellisottoteho (Mikroaallot):	1050W
Nimellislähtöteho (Mikroaallot):	700 W
Uunin tilavuus:	20 L
Pyörölautasen halkaisija:	255 mm
Ulkoiset mitat:	440 x 359 x 259 mm
Nettopaino:	10,23 kg

## Takuu

Champion Nordic takaa, että tässä tuotteessa ei ole materiaaliin tai käsityöhön liittyviä valmistusvikoja. Takuu on voimassa 2 vuotta Ruotsissa, Norjassa, Tanskassa ja Suomessa. Takuu alkaa siitä hetkestä, kun tuote joko ostetaan tai toimitetaan. Champion Nordicilla ei ole velvollisuutta korjata tai korvata tuotetta, johon ei ole voimassa olevaa ostotodistusta. Tämä takuu on voimassa ainoastaan tuotteissa, jotka ostetaan kotikäyttöön ja joita käytetään kotona. Takuu ei kata vaurioita, jotka johtuvat tuotteen väärinkäytöstä, Champion Nordicin käyttöohjeiden noudattamatta jättämisestä, siitä että tuotetta on käsitelty tai korjattu ei-hyväksyttävällä tavalla, tuotteen omistajan virheellisistä pakkaustoimista tuotetta käsiteltäessä, normaalista kulumisesta tai kuljetusyrityksen suorittamista vääränlaisista käsittelytavoista.

### Oikea hävittäminen

Tämä symboli tuotteessa tai ohjeissa tarkoittaa, että laite täytyy hävittää erillään muista talousjätteistä, kun se ei enää toimi. EU:n sisällä on jätteille erillisiä kierrätysjärjestelmiä. Lisätietojen saamiseksi ota yhteyttä paikallisiin viranomaisiin tai jälleenmyyjääsi.



 **CHAMPION**

Champion ©  
Makadamgatan 14 | 254 64 Helsingborg | Sweden  
info@champion.se



